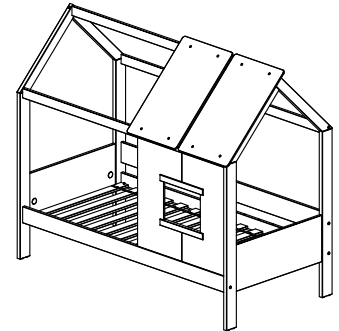
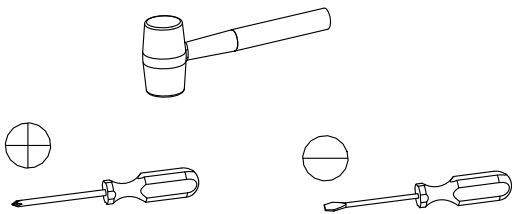


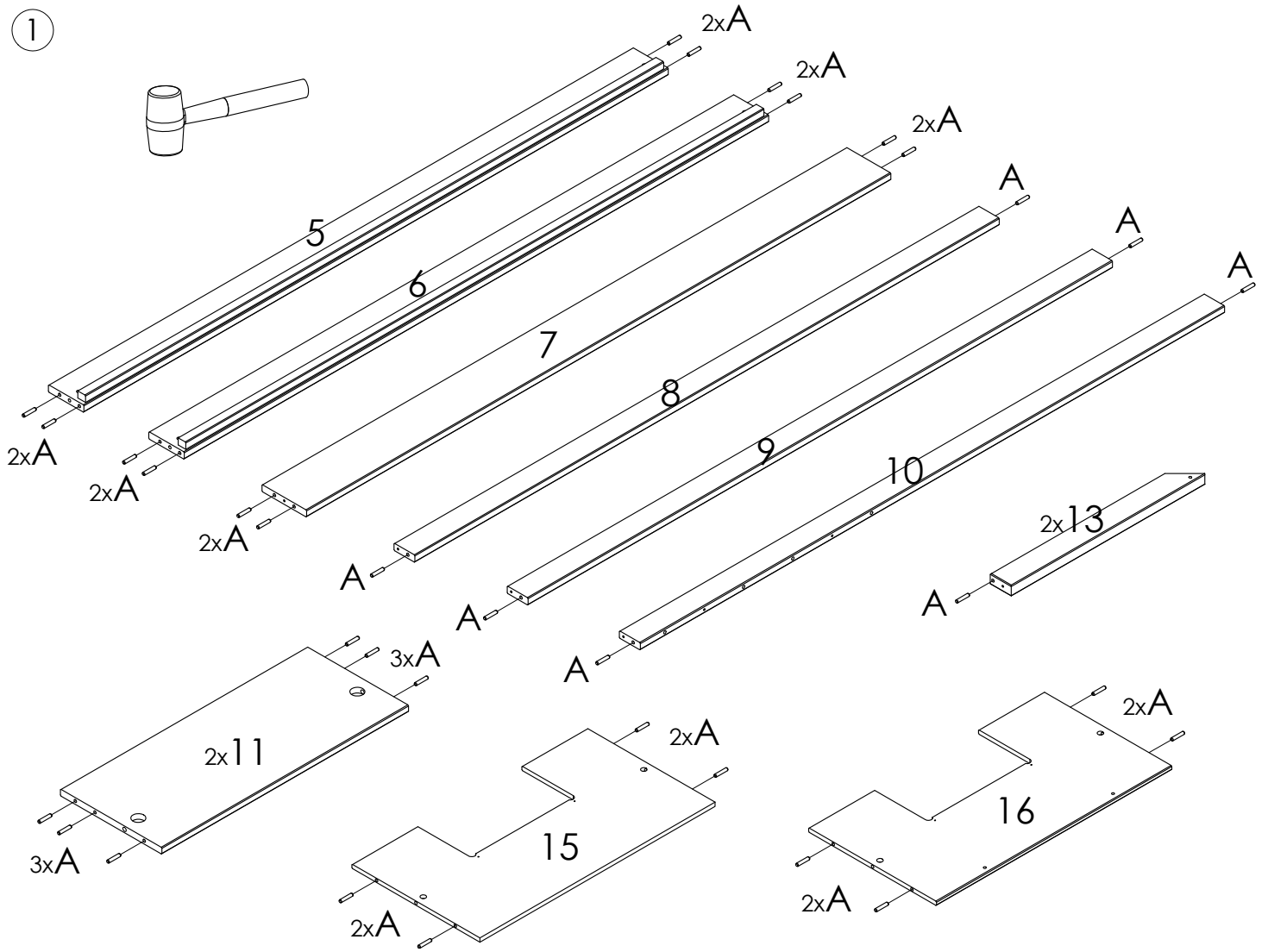
Tools needed (not supplied)




A		8x40	x40
B		10x40	x4
C		M6x65	x4
D		D6x10x13	x4
E		6,3x60	x8
F		6,3x105	x2
G		7x60	x4
H		D35	x4
J		7x24	x4
K		D15x9,5	x4

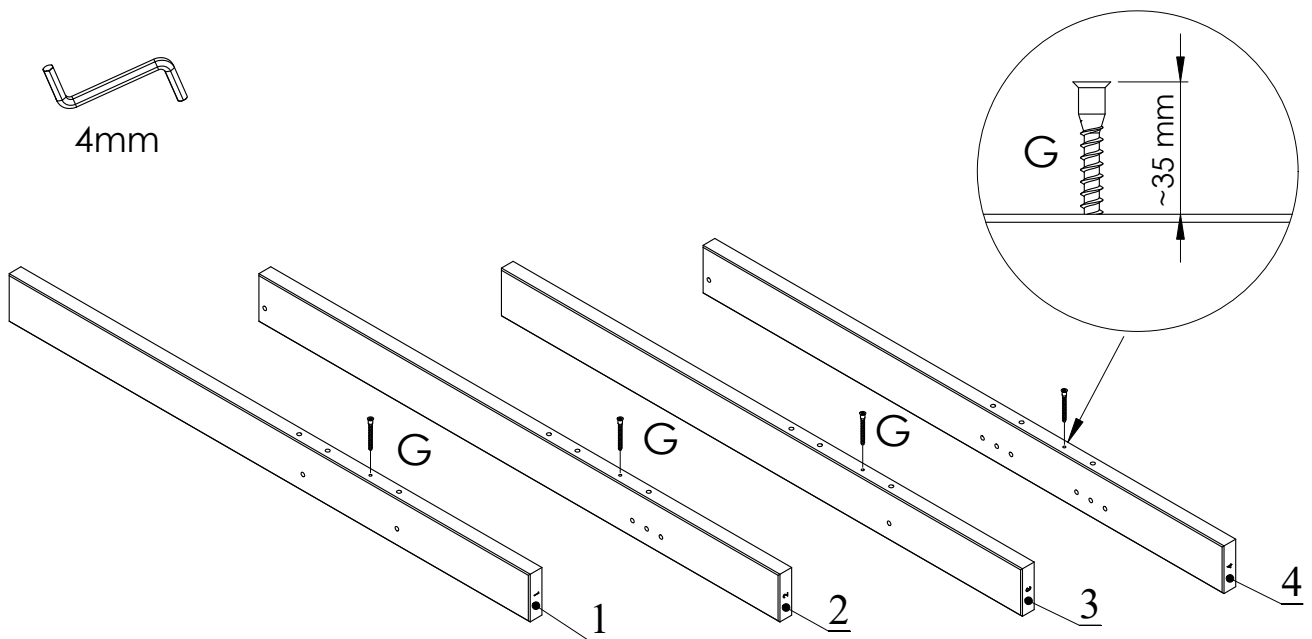
L		4x20	x4
M		3,5x35	x14
N		D13	x10
P		D20	x4
R		D5x8	x2
S		D8x13	x4
U		D15x18	x14
T		D35x12	x4
V		D24x3	x8
Y		4mm	x1

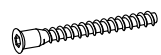
①



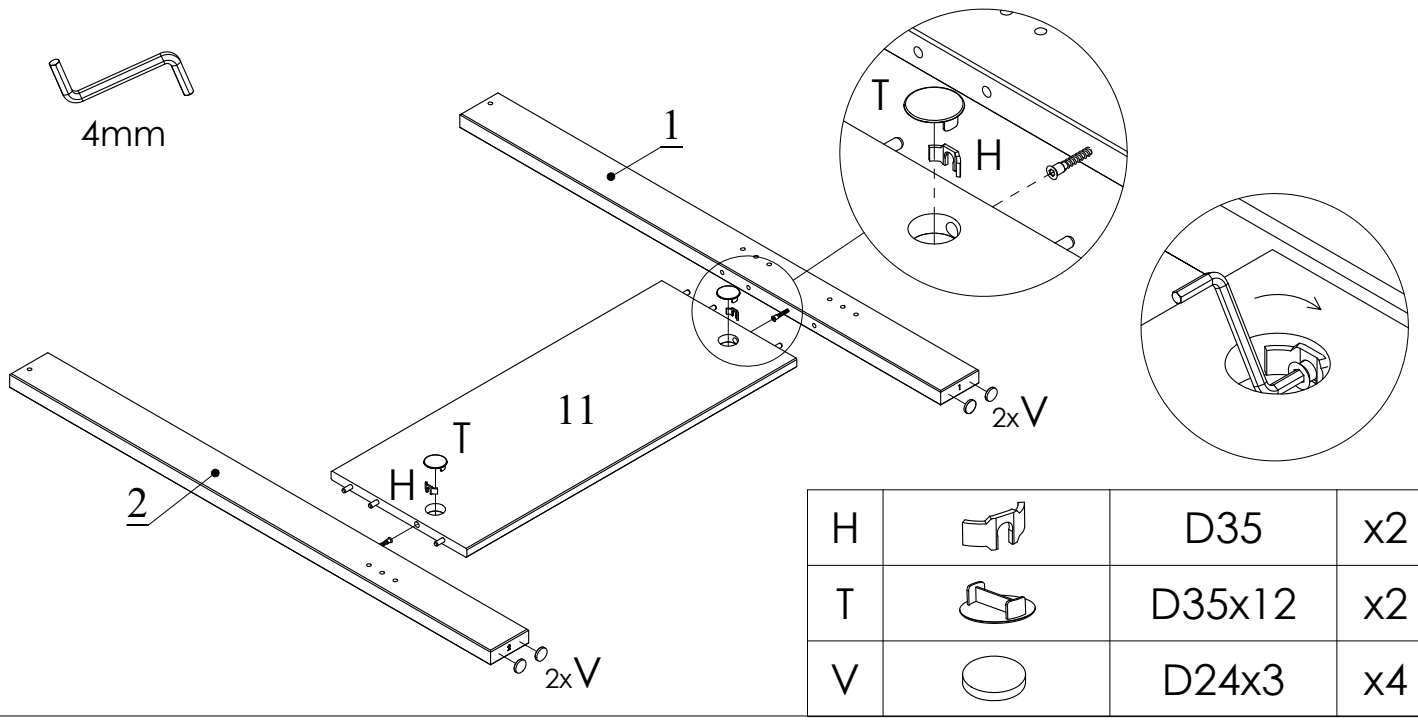
A		8x40	x40
---	---	------	-----

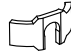


②



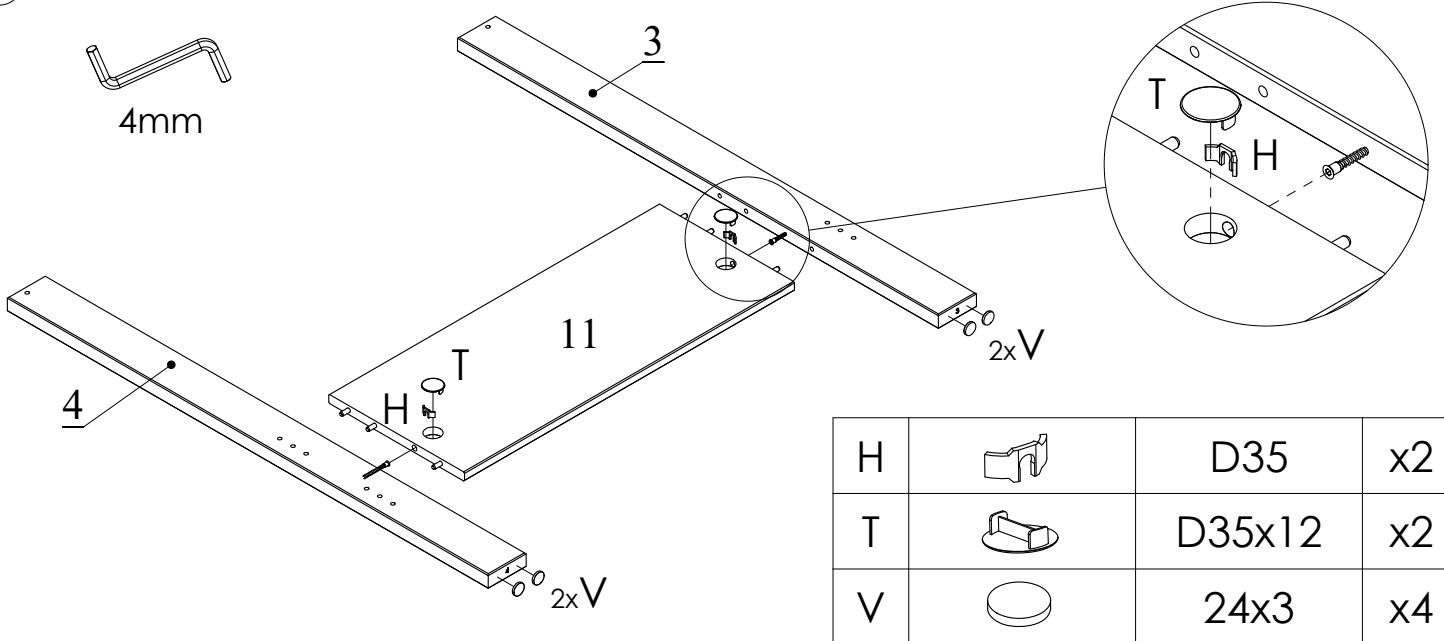
G		7x60	x4
---	---	------	----


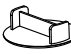

3



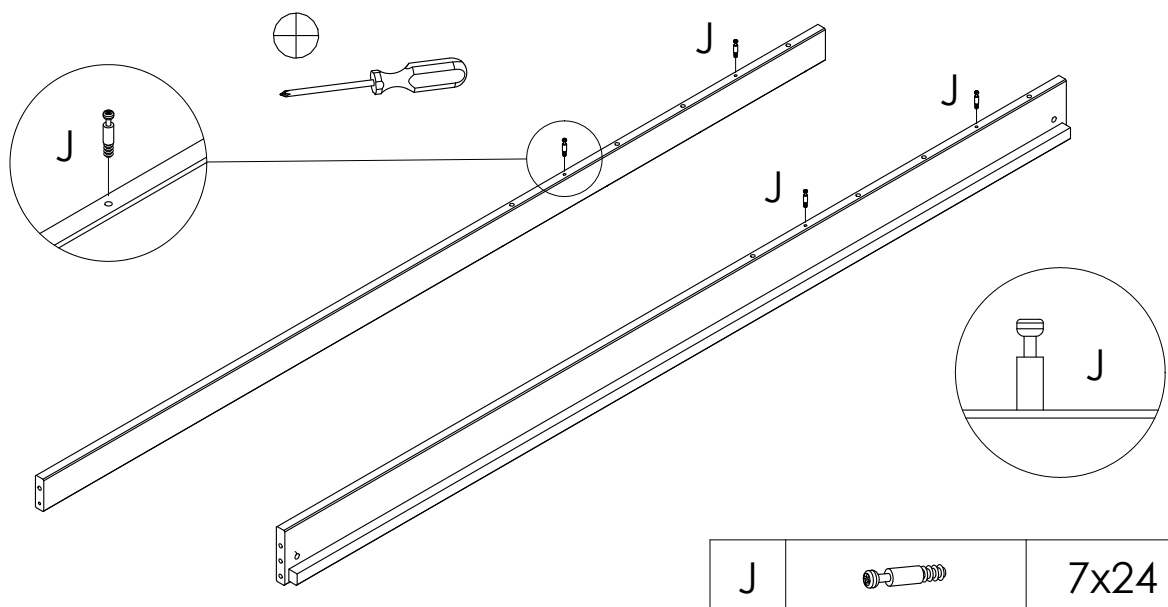
H		D35	x2
T		D35x12	x2
V		D24x3	x4

4



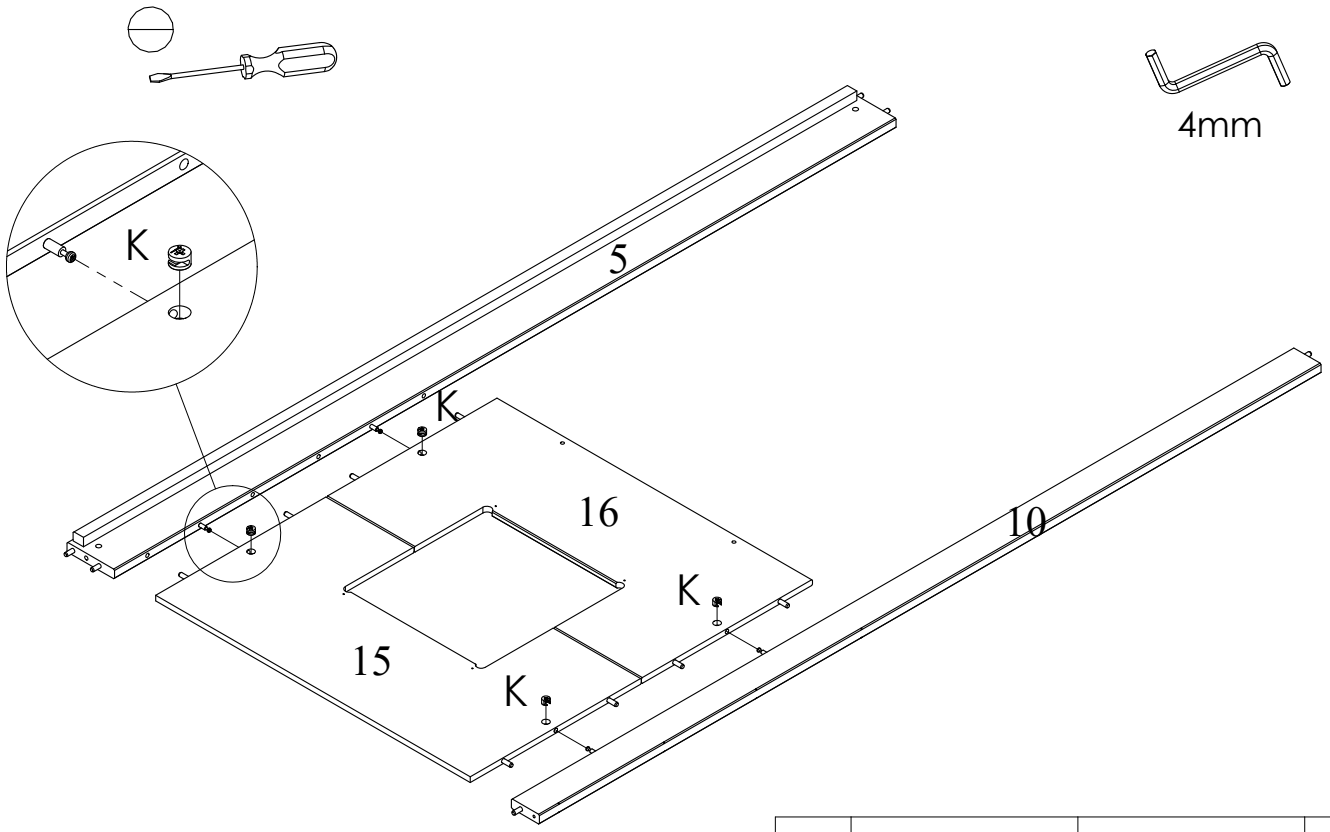
H		D35	x2
T		D35x12	x2
V		24x3	x4


5



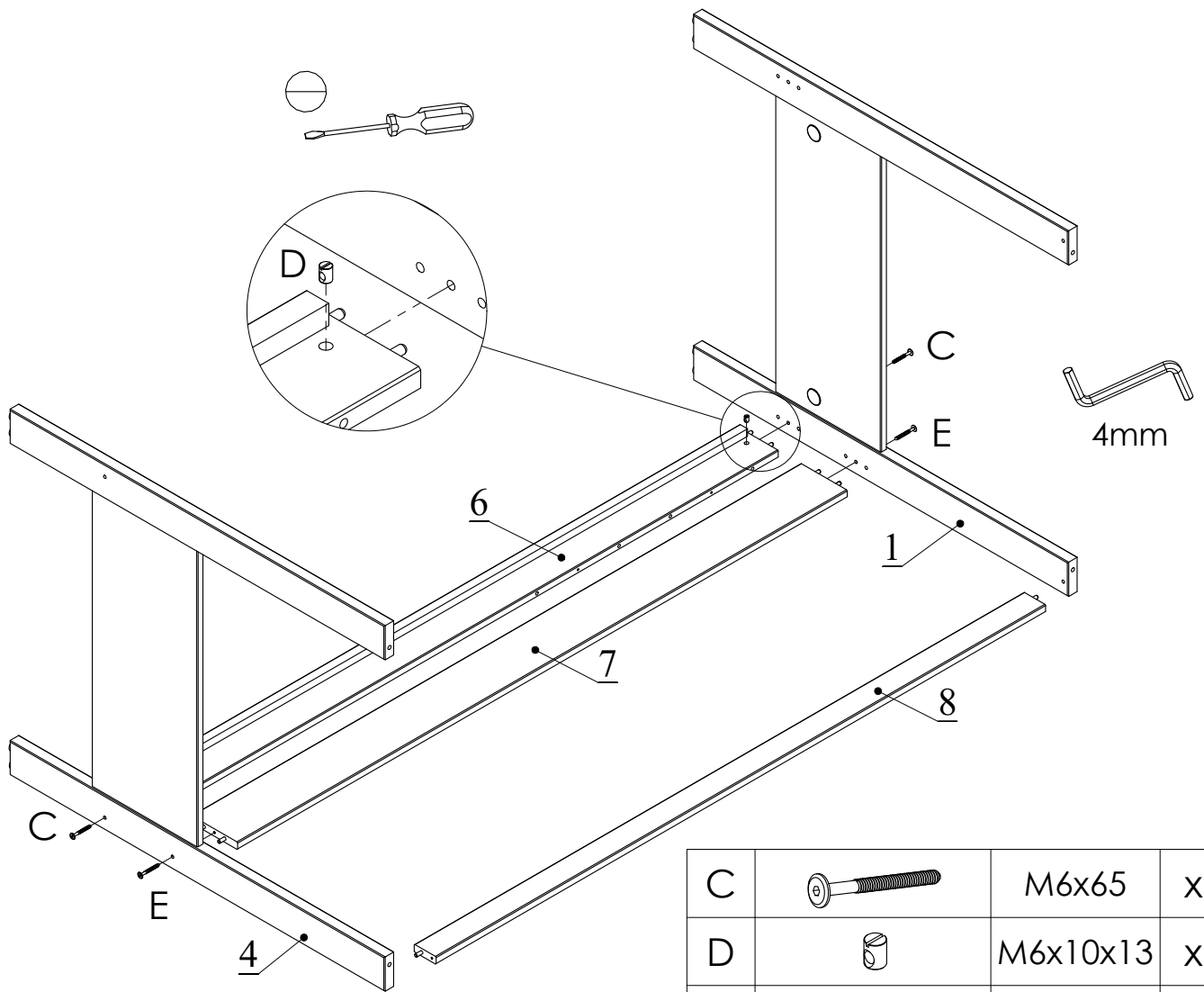
J		7x24	x4
---	---	------	----




6



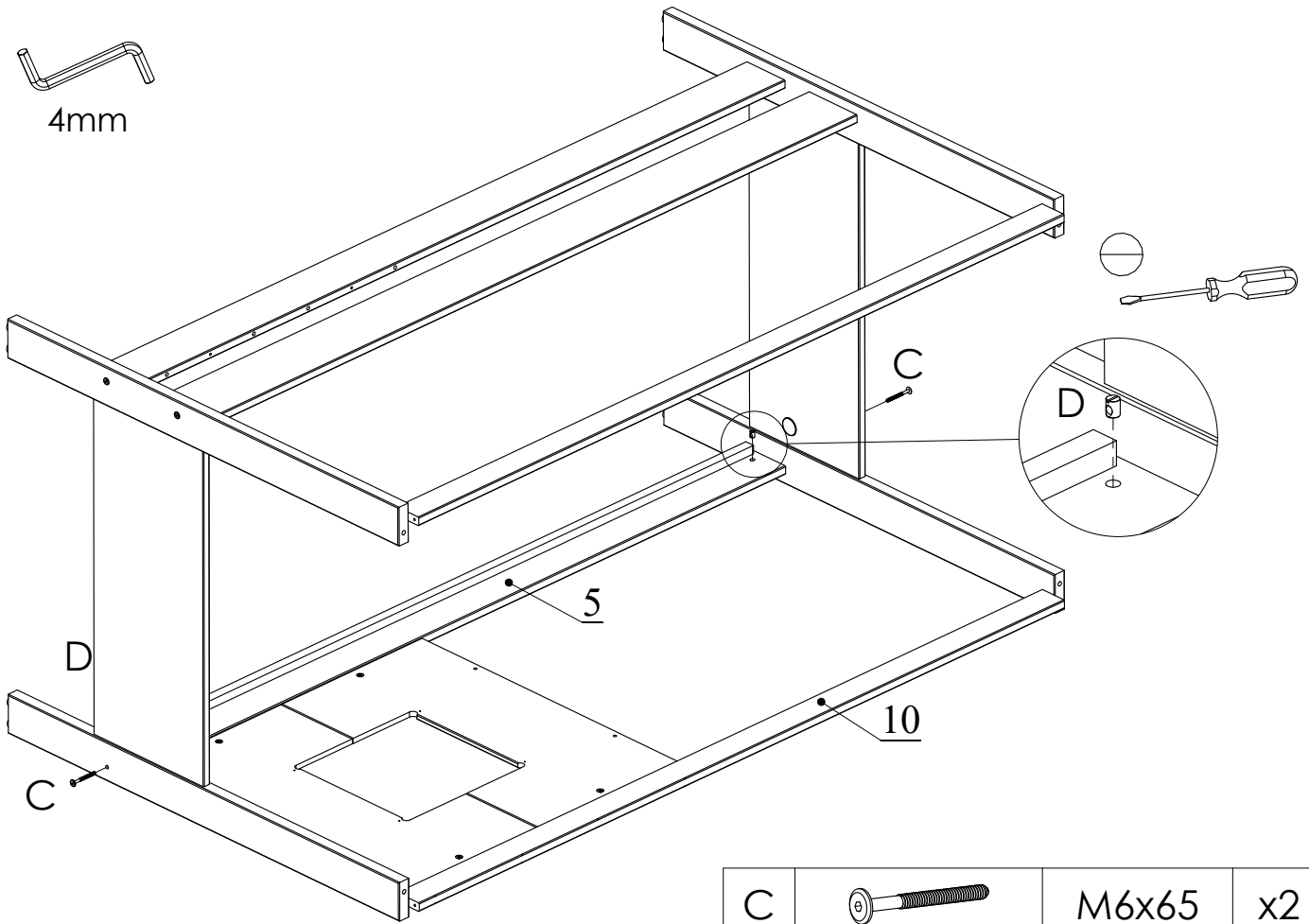
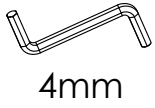
K		D15x9,5	x4
---	---	---------	----

7



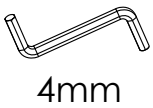
C		M6x65	x2
D		M6x10x13	x2
E		6,3x60	x2

8

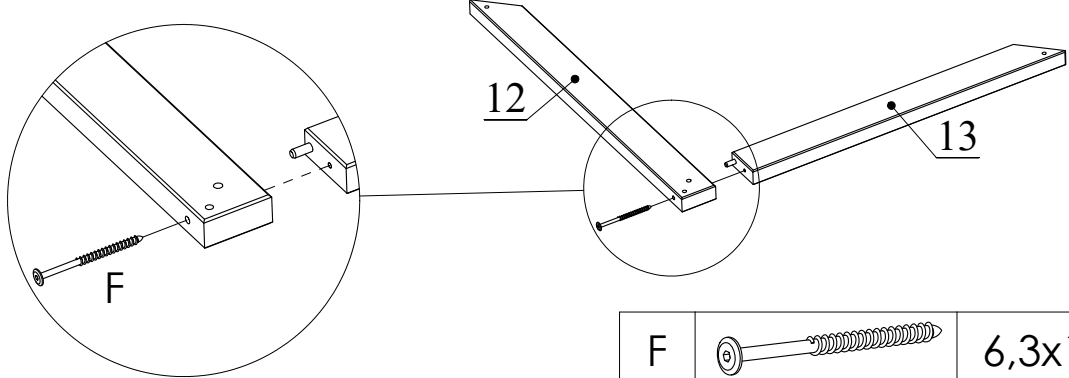


C		M6x65	x2
D		M6x10x13	x2

9

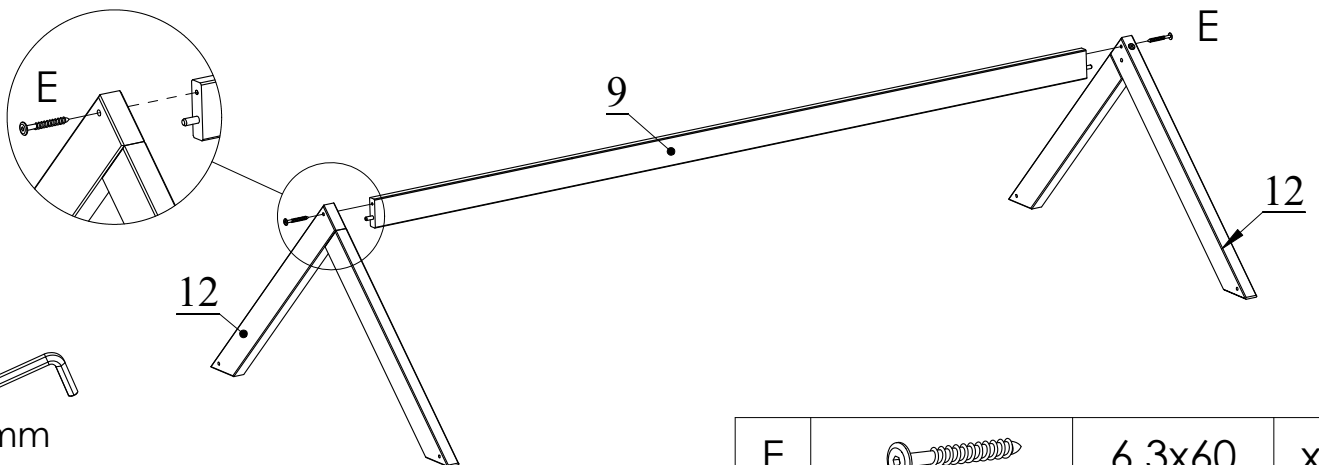
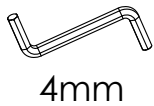


2x



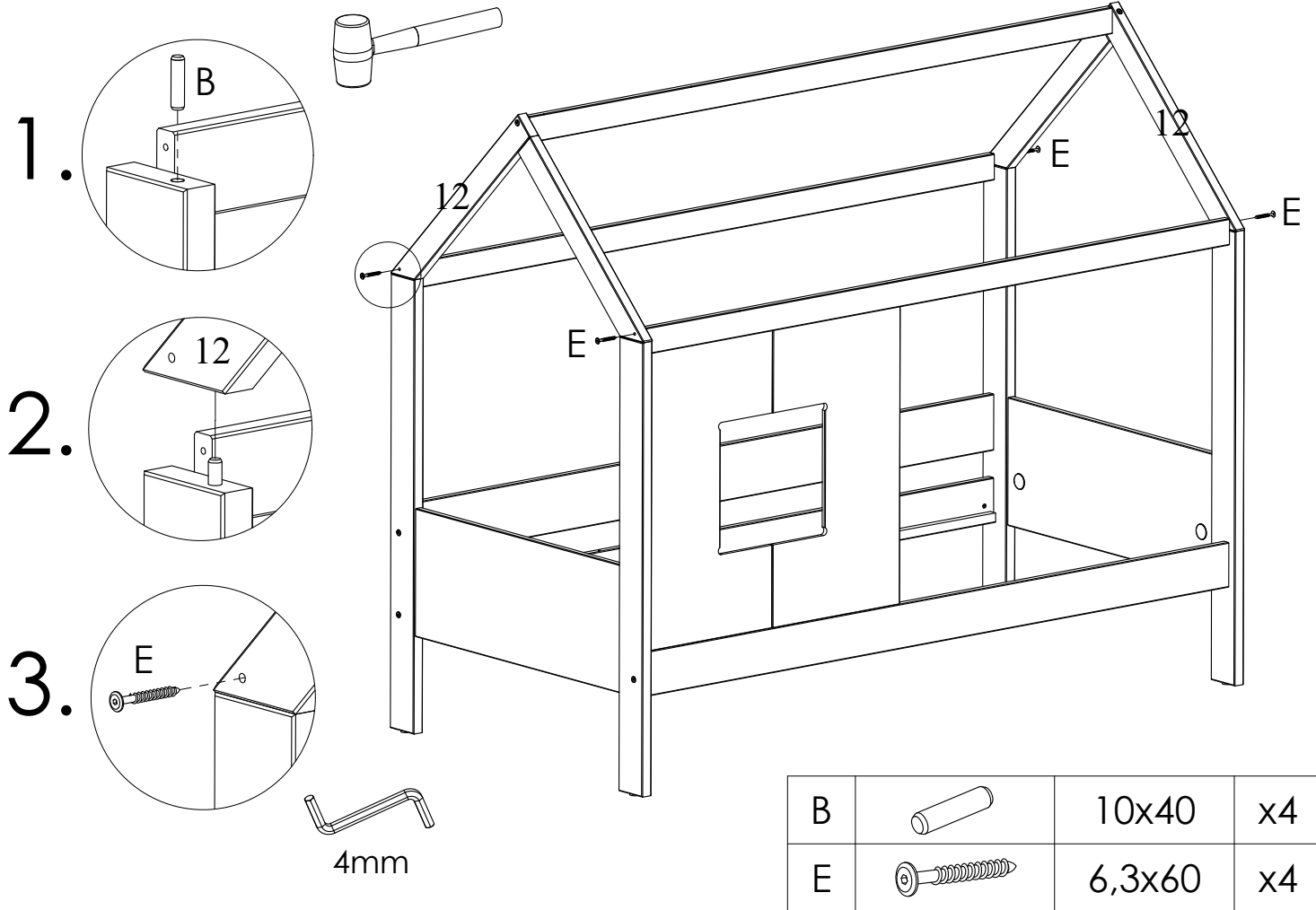
F		6,3x105	x2
---	--	---------	----

10

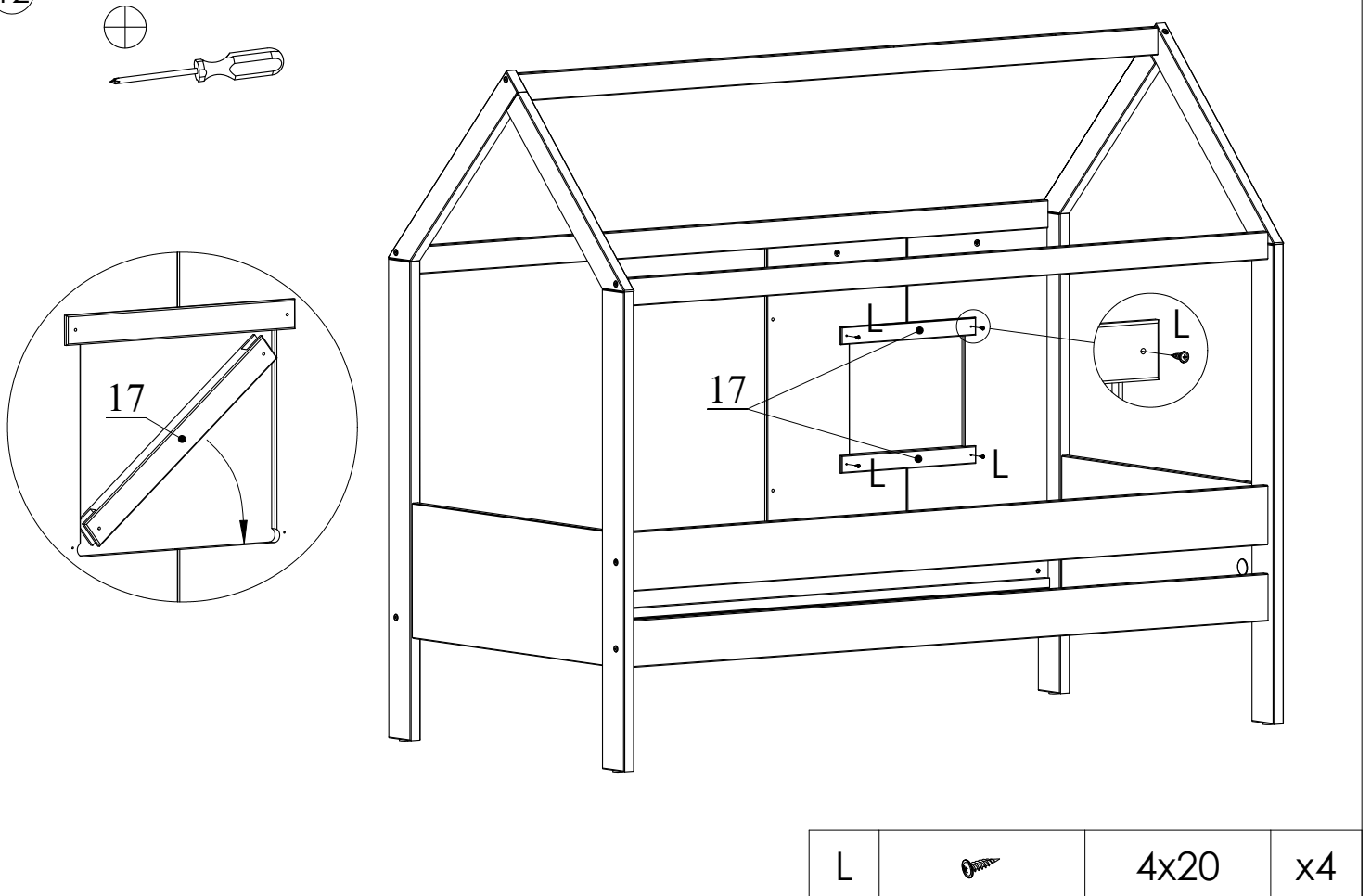


E		6,3x60	x2
---	--	--------	----

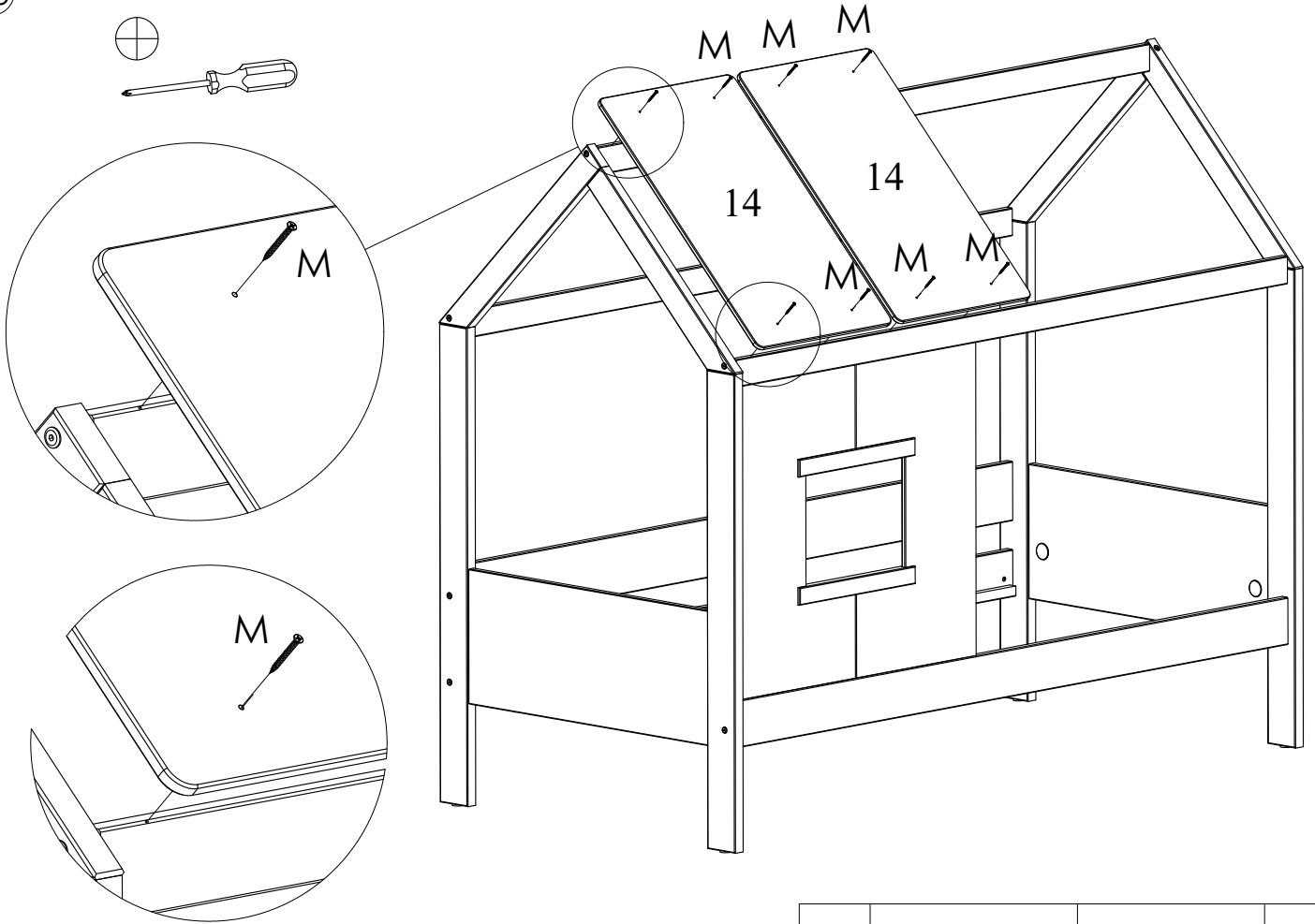
11




12

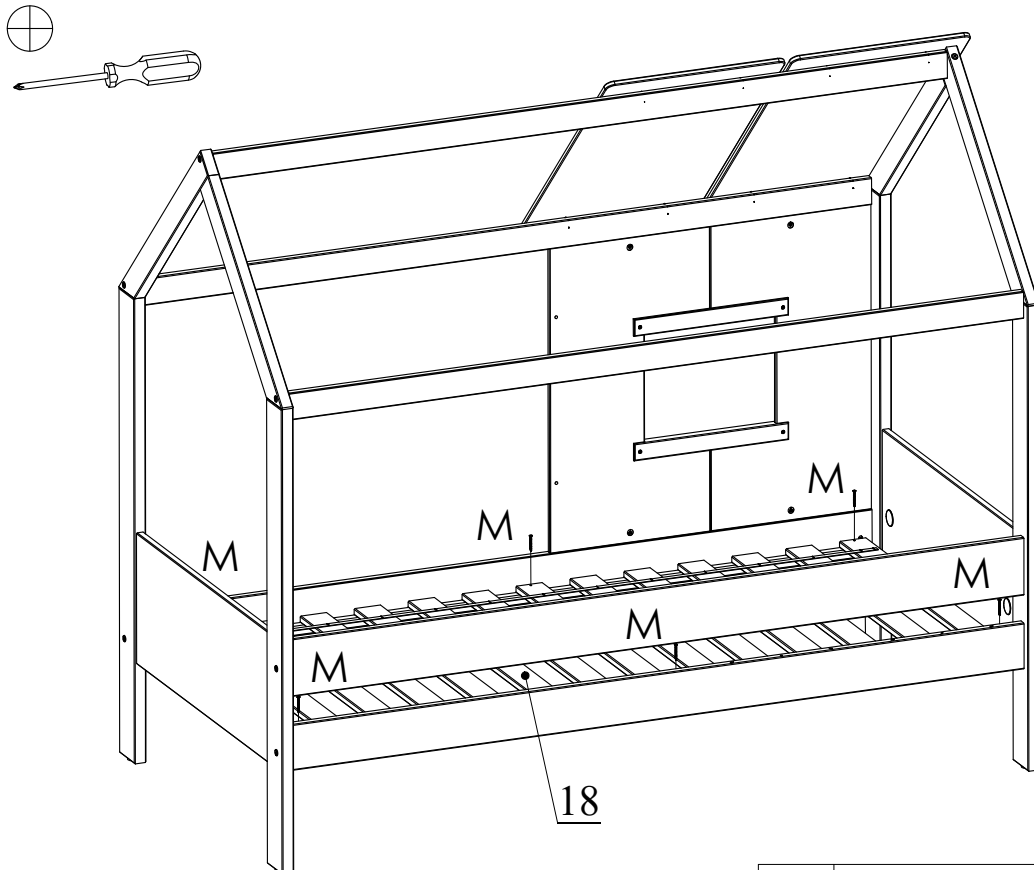



13



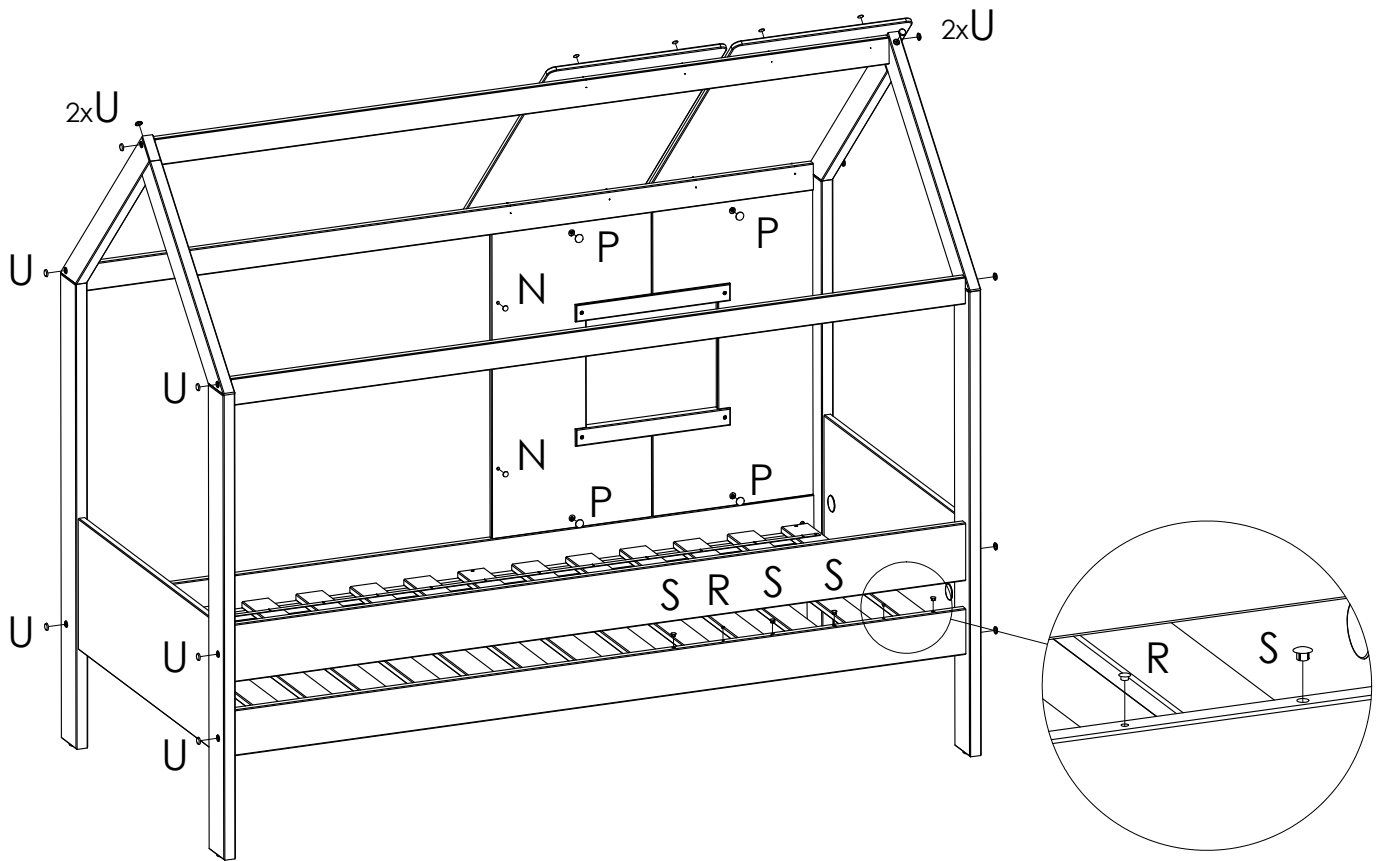
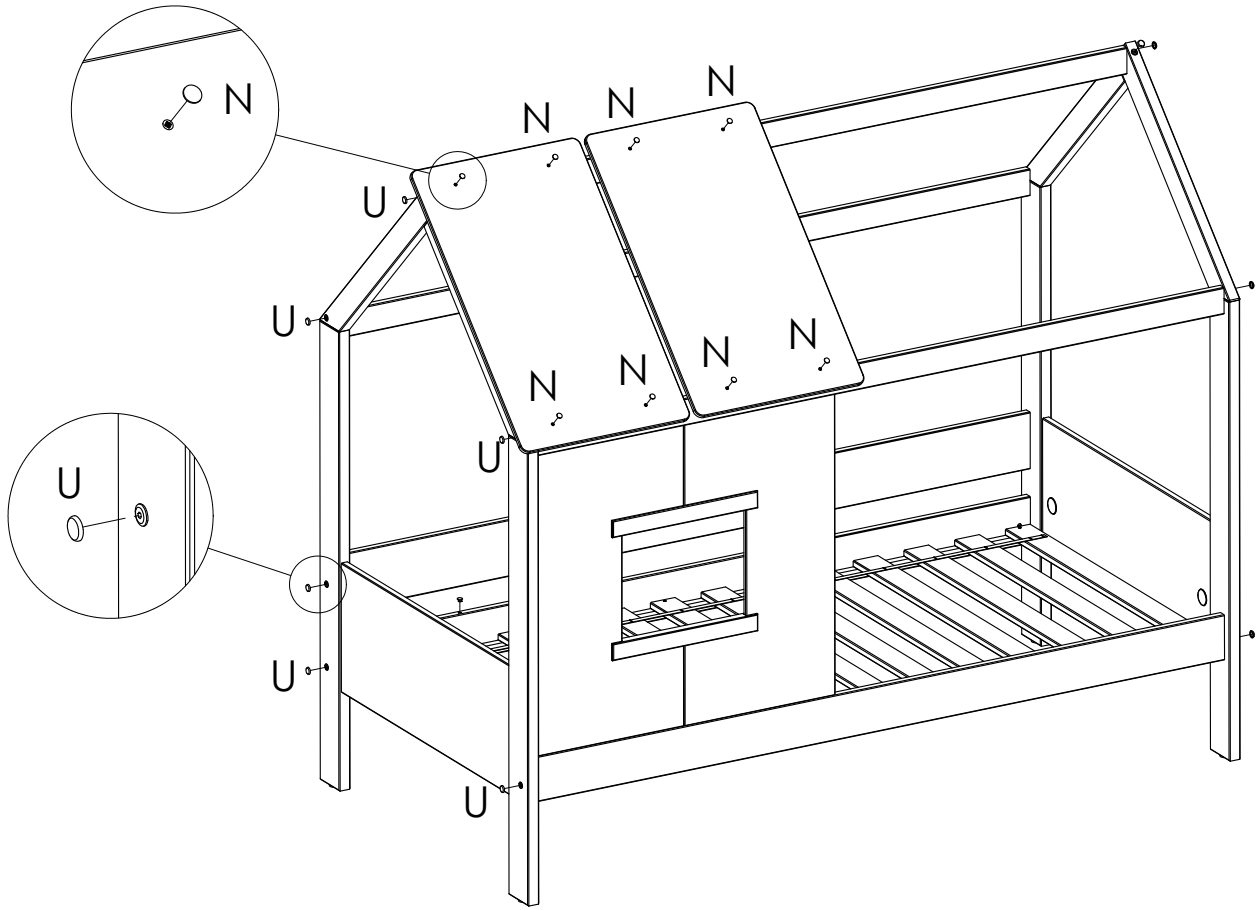
M		3,5x35	x8
---	---	--------	----

14



M		3,5x35	x6
---	---	--------	----

15



N		D13	x10
P		D20	x4

R		D5x8	x2
S		D8x13	x4
U		D15x18	x14