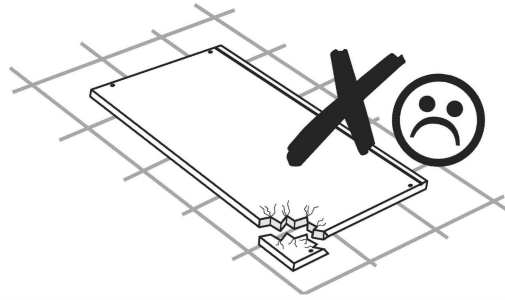
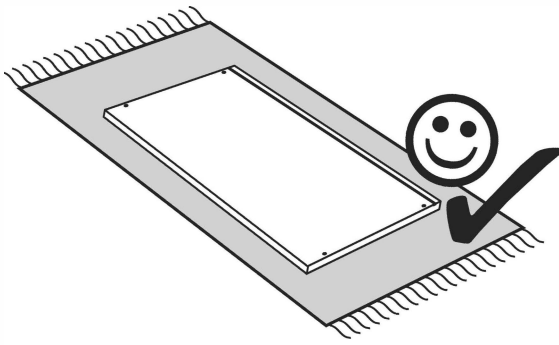
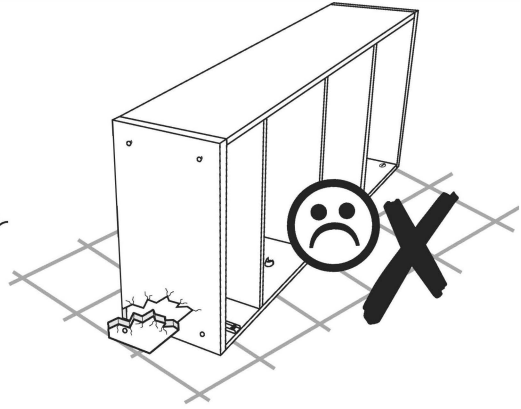
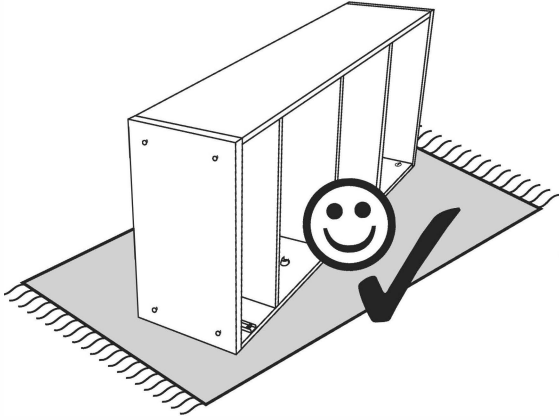
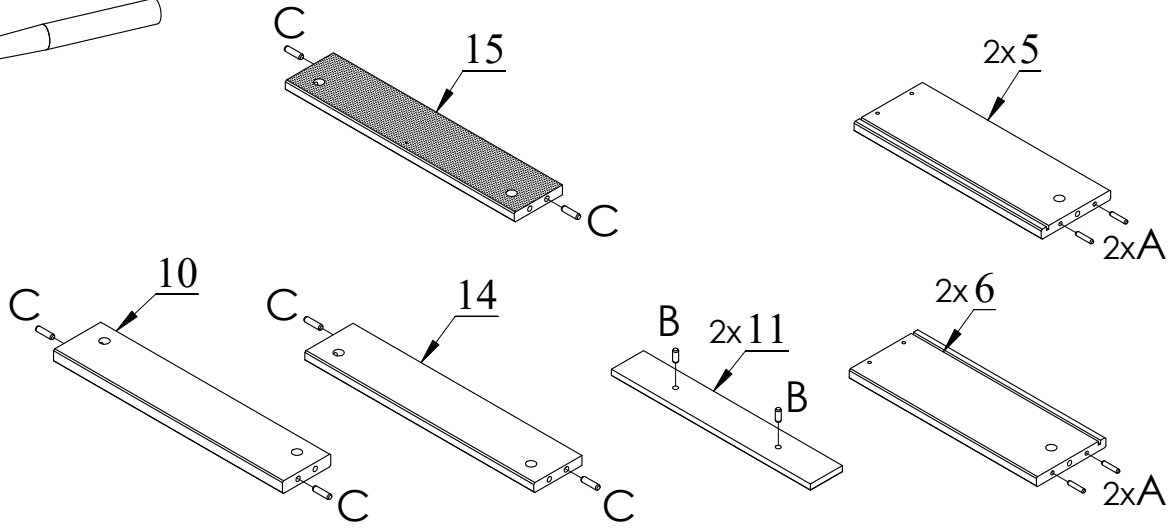
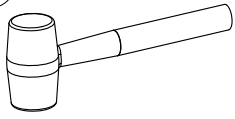


A		6x30	x8
B		8x20	x4
C		8x30	x10
D		15x12	x16
E		7x34	x16
F		3,5x15	x22
G		3,5x25	x6

H		5x38	x8
J		21x21x16	x1
K		D24	x4
M		1,2x20	x25
U		H30/L300	x4
V		D20	x4



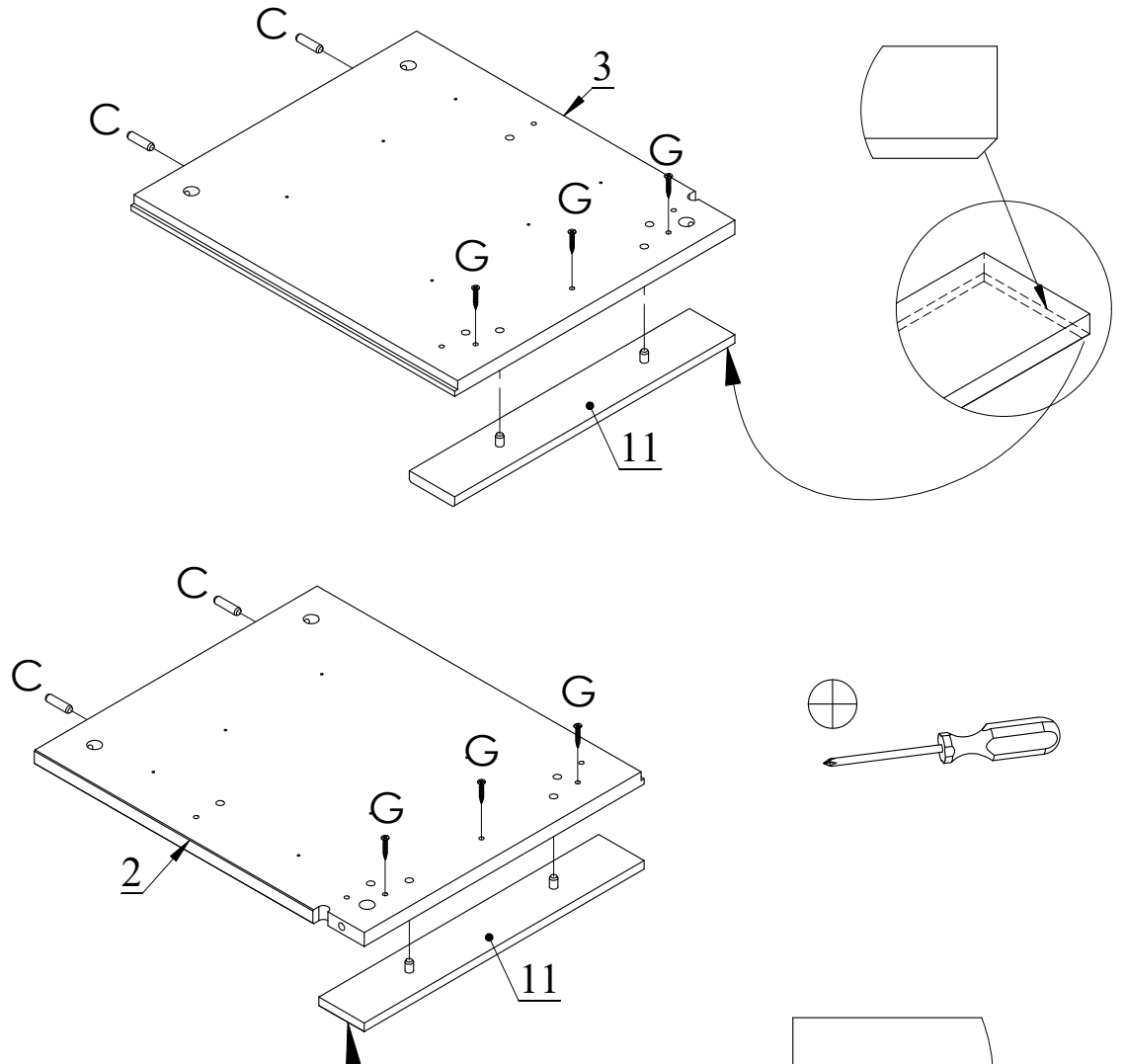
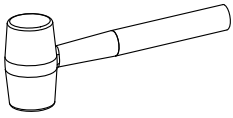
①



A		6x30	x8
B		8x20	x4

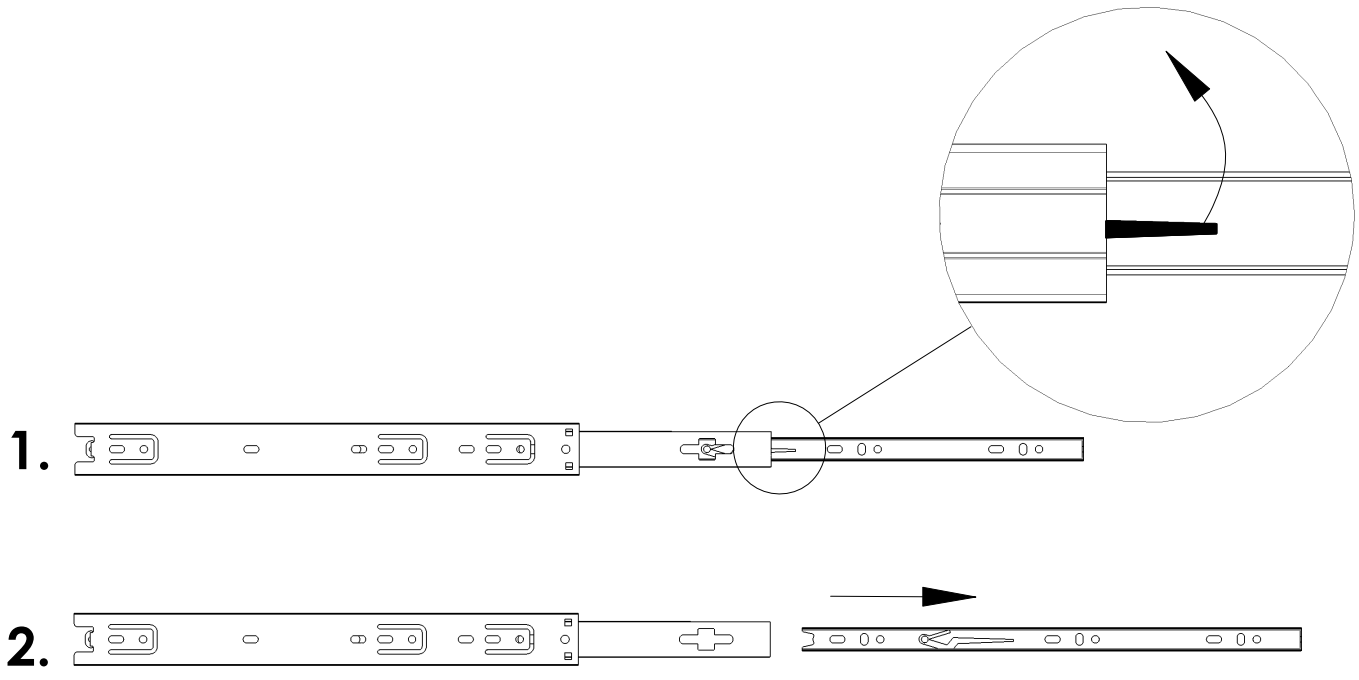
C		8x30	x6
---	--	------	----

②



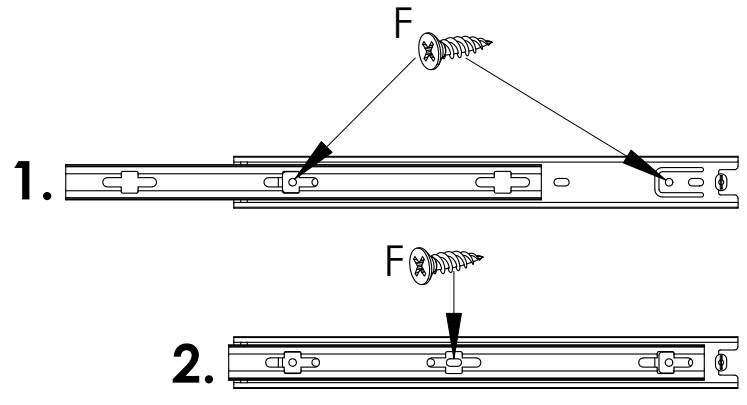
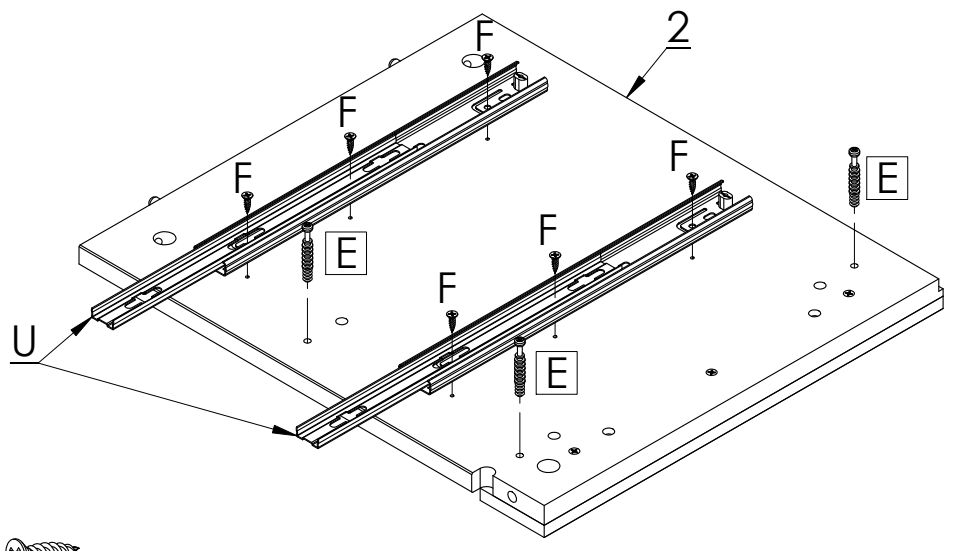
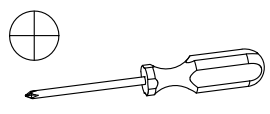
C		8x30	x4
G		3,5x25	x6

3



U		H30/L300	x4
---	--	----------	----

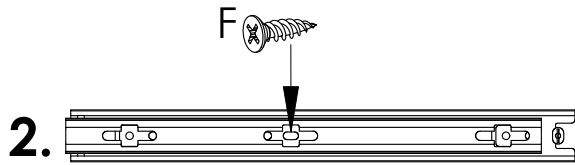
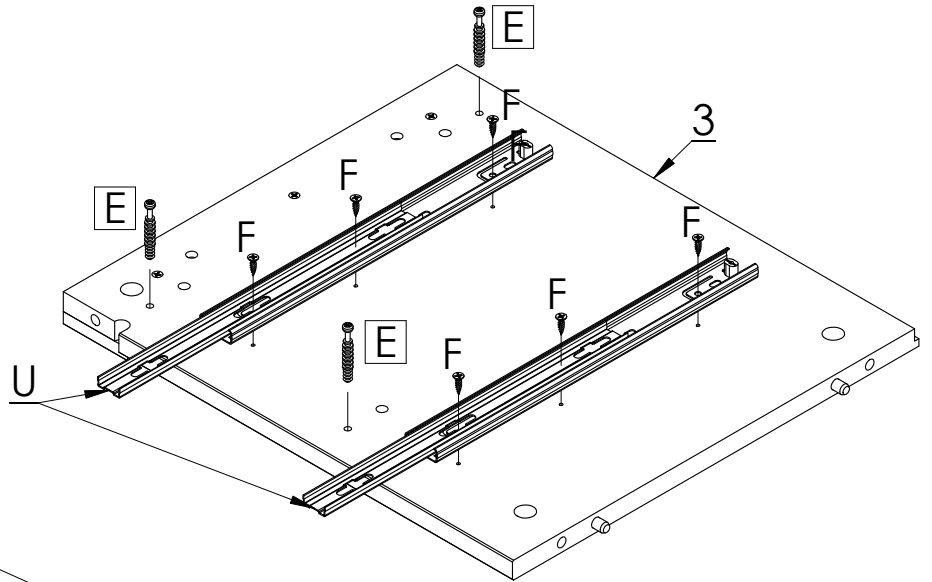
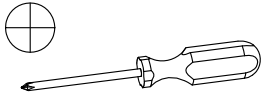
4



U		H30/L400	x2
F		3,5x15	x6

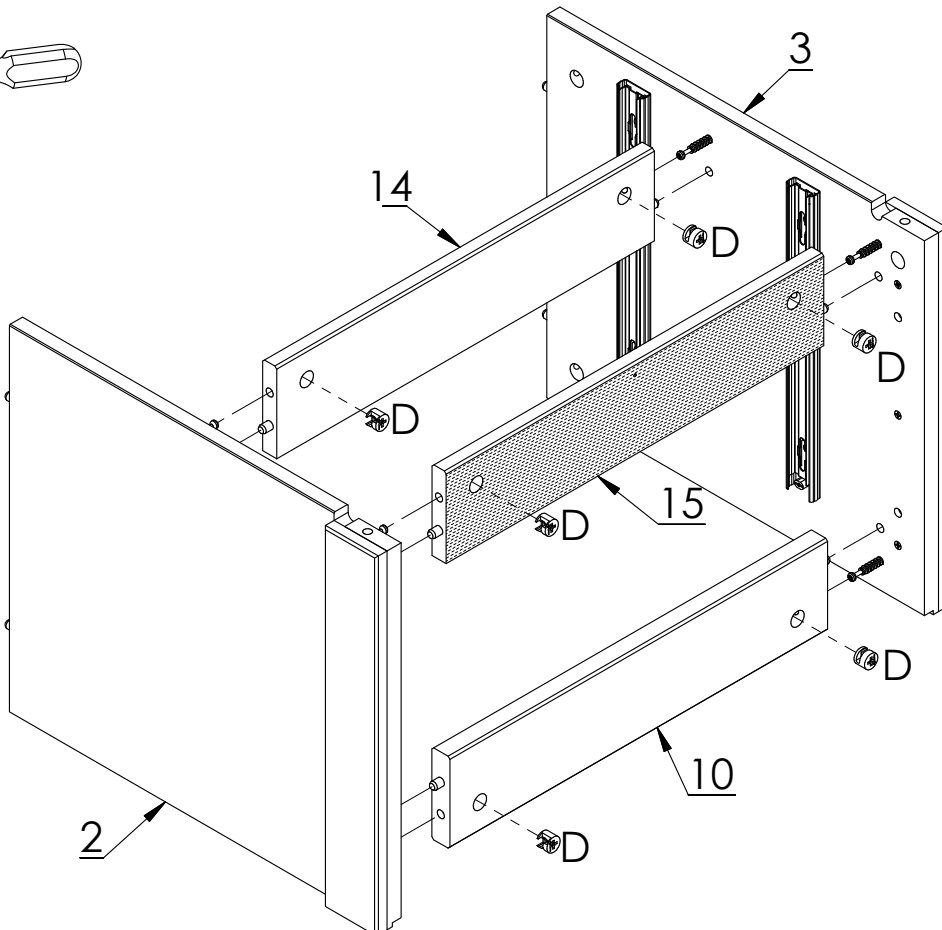
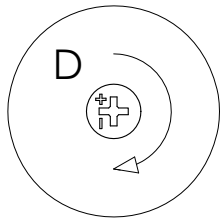
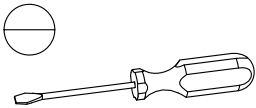
E		7x34	x3
---	--	------	----

5



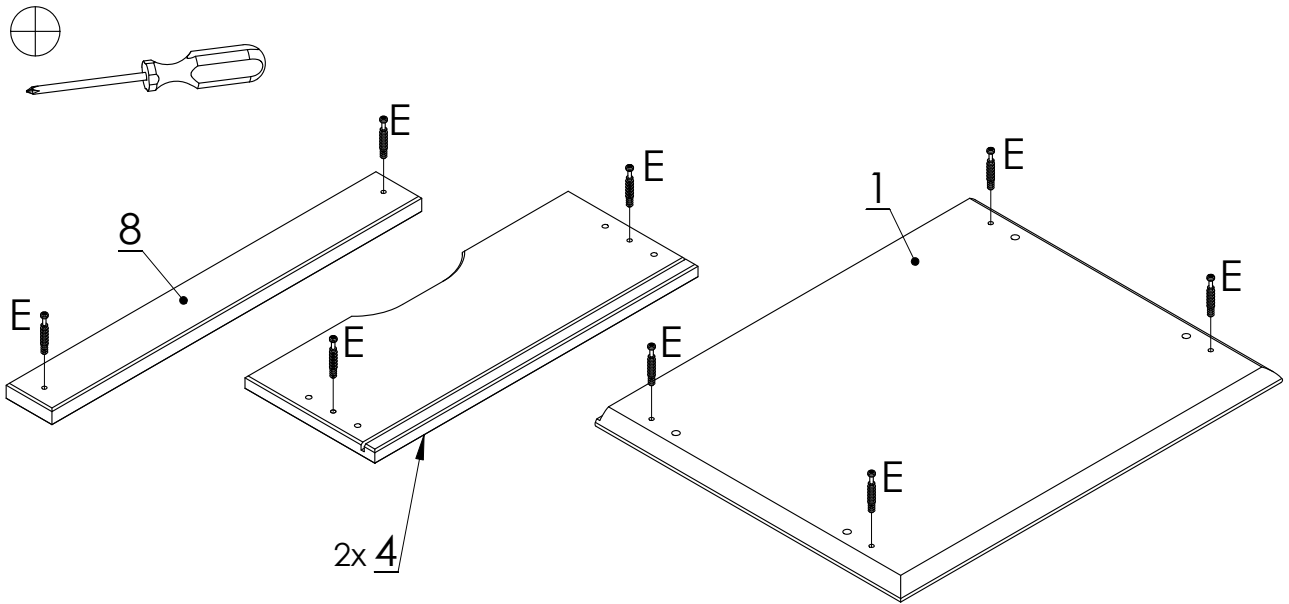
U		H30/L400	x2
E		7x34	x3
F		3,5x15	x6

6



D		15x12	x6
---	--	-------	----

7



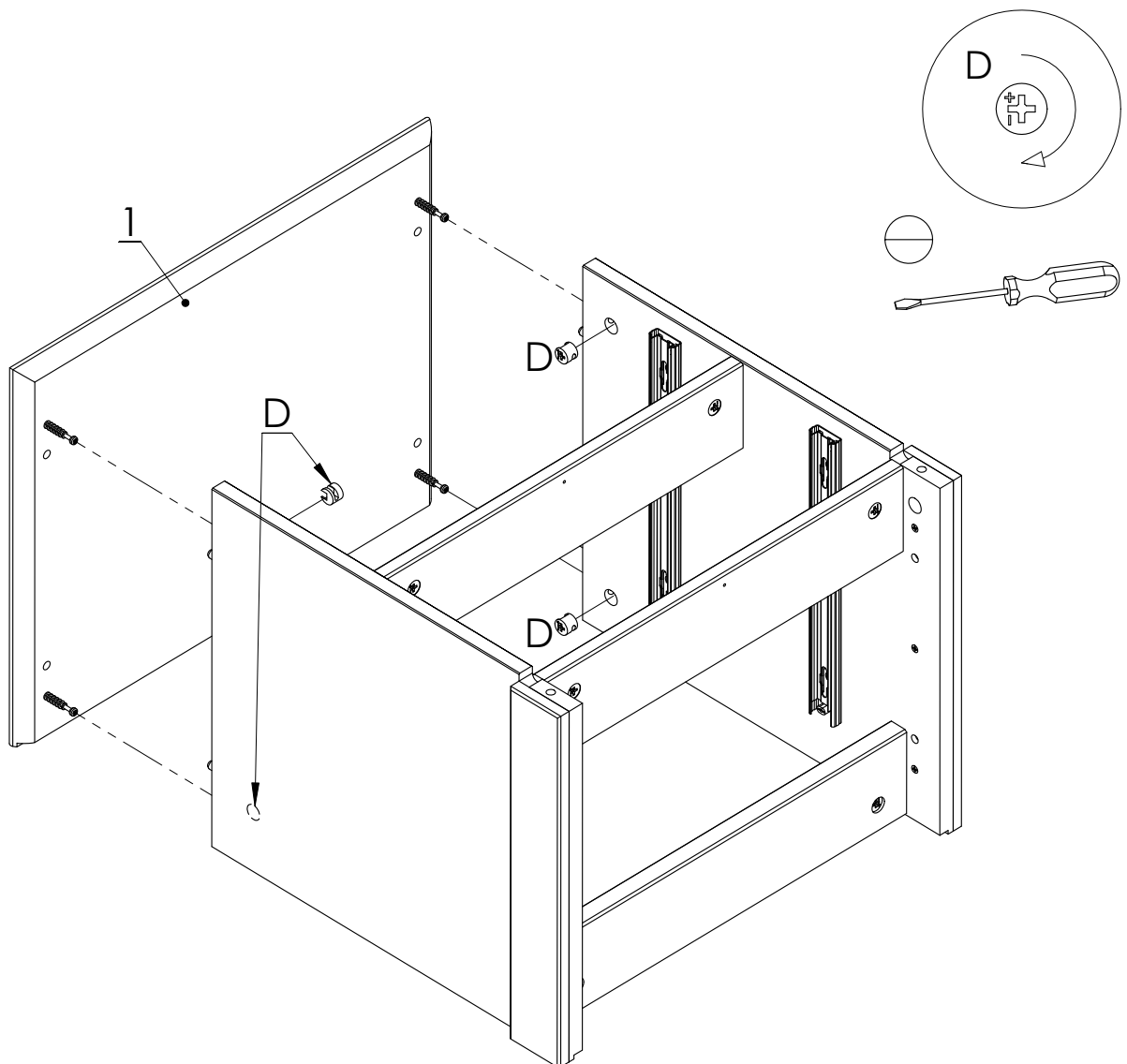
E



7x34

x10

8



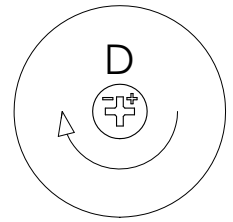
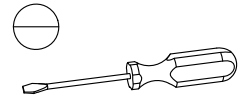
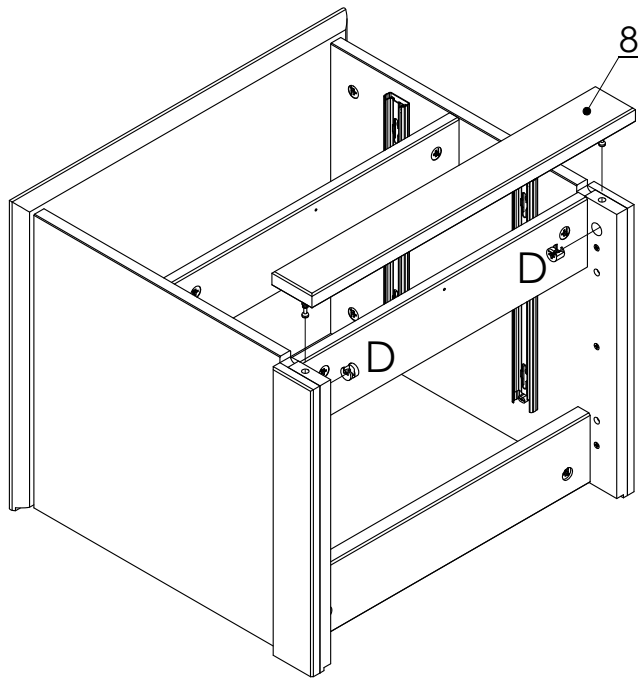
D




15x12

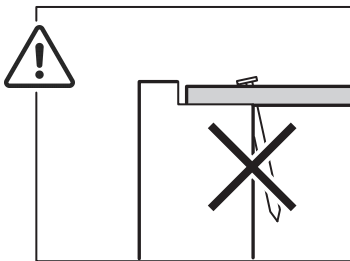
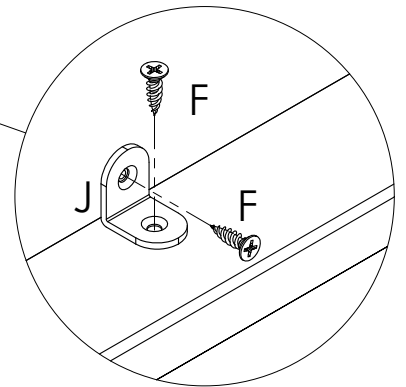
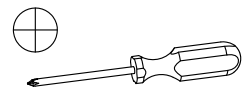
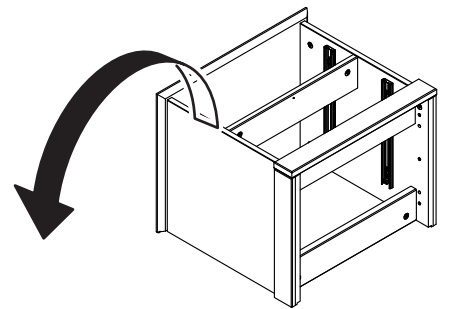
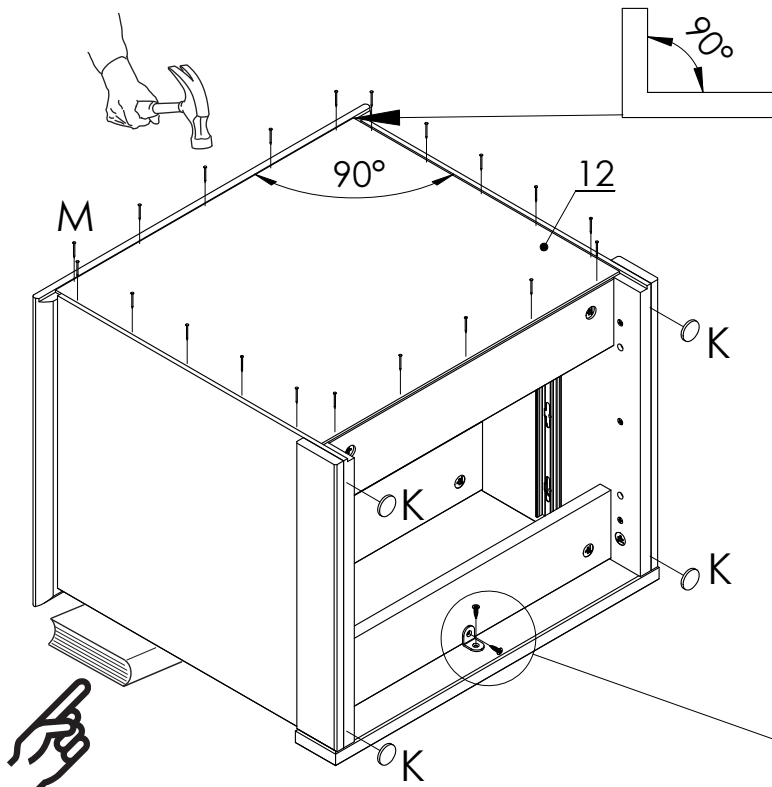
x4


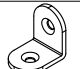
9


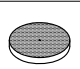


D		15x12	x2
---	---	-------	----

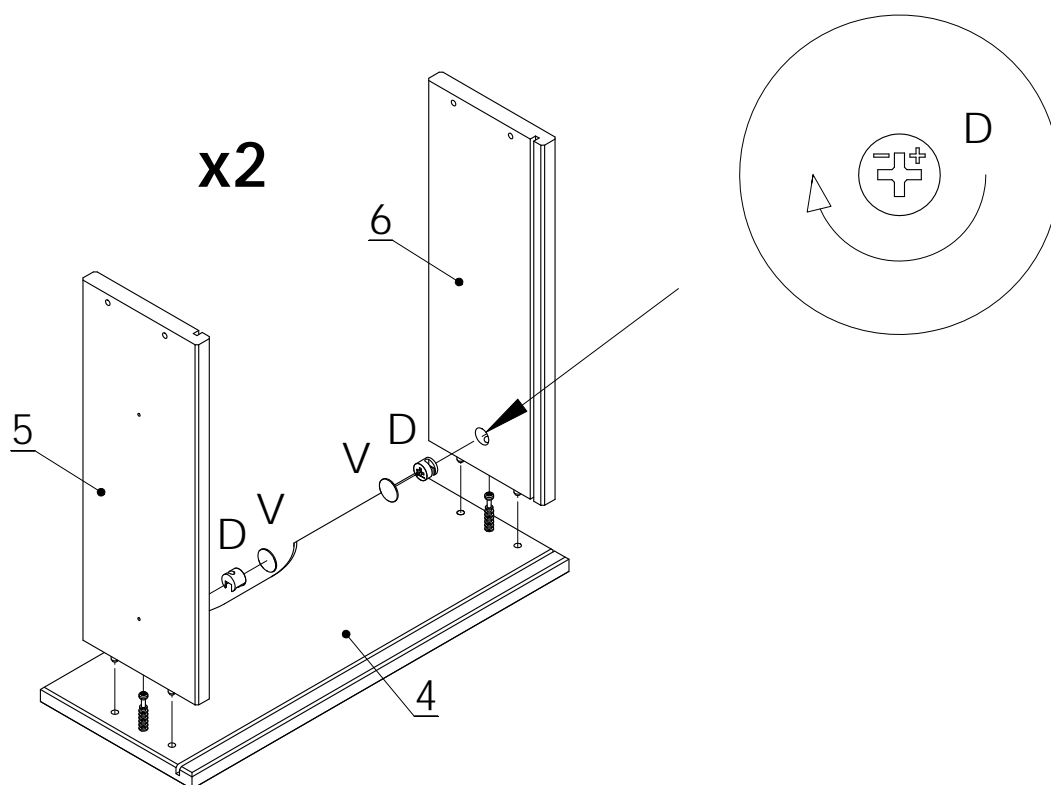
10





F		3,5x15	x2
J		21x21x16	x1

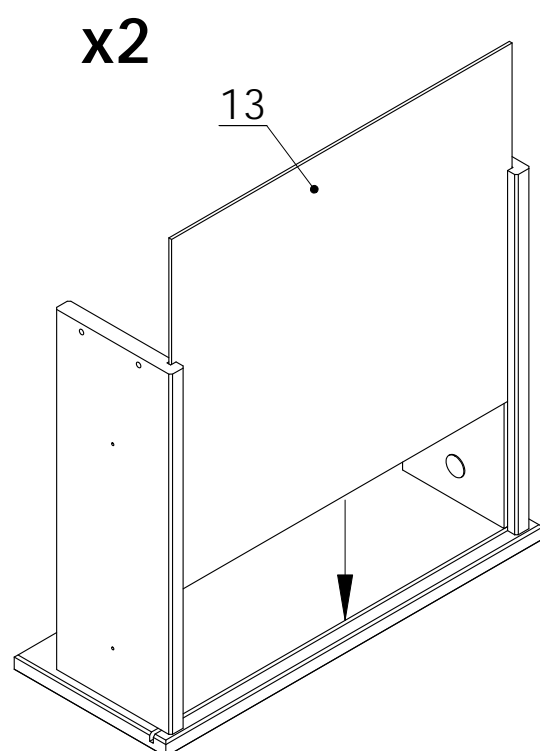
M		1,2x20	x25
K		D24	x4

11



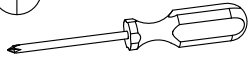
D		15x12	x4
V		D20	x4

12

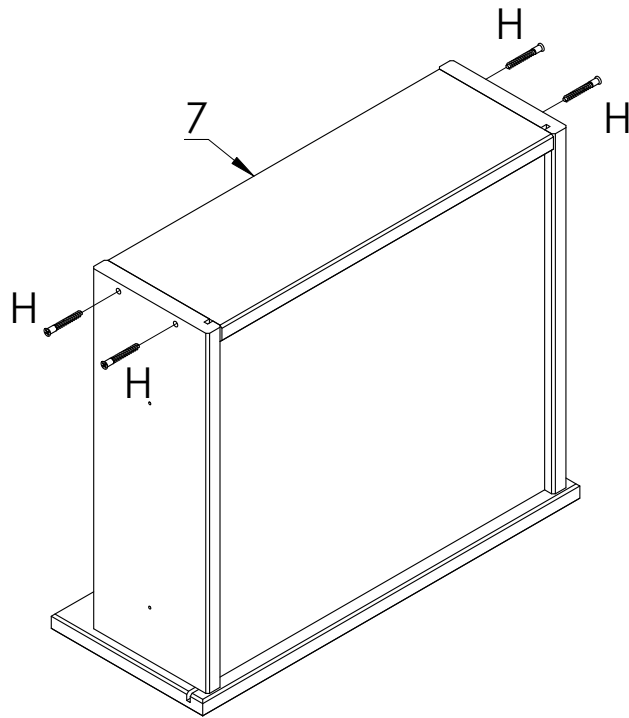




13

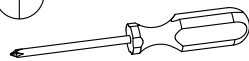


x2

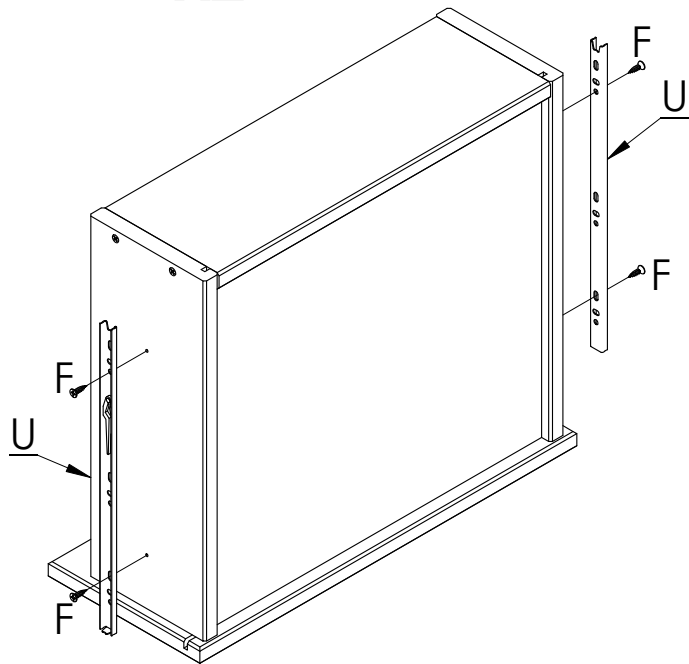
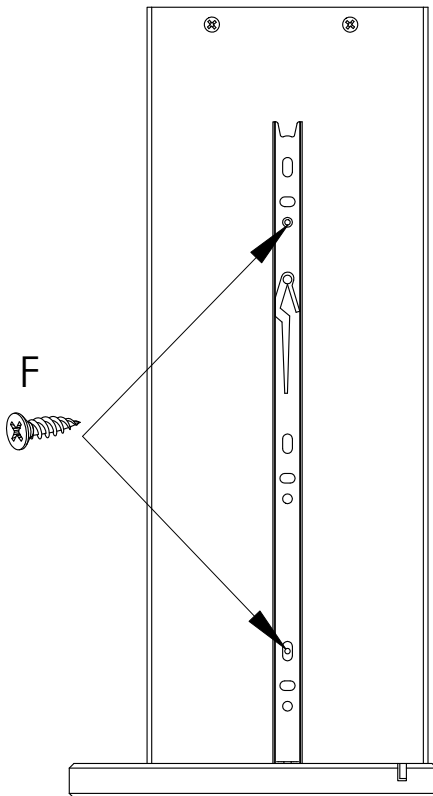


H		5x38	x8
---	--	------	----

14



x2



F		3,5x15	x8
U		H30/L300	x4

15

