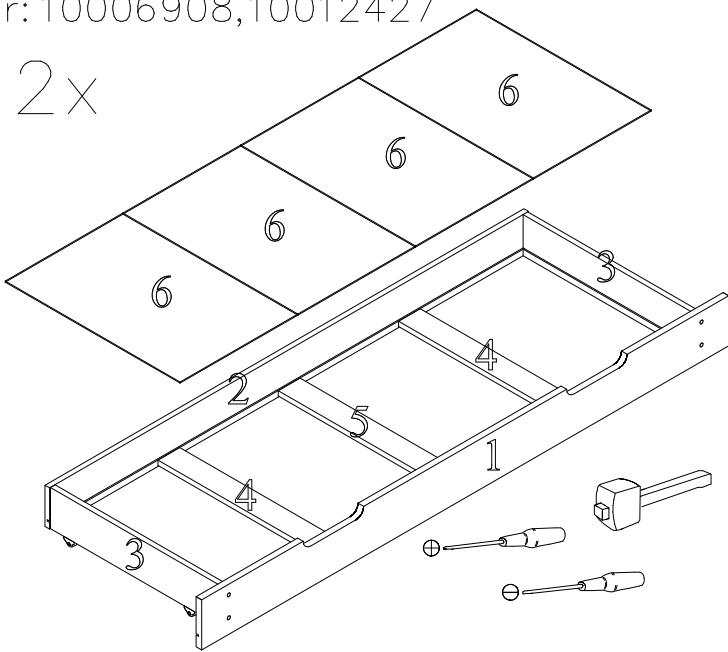
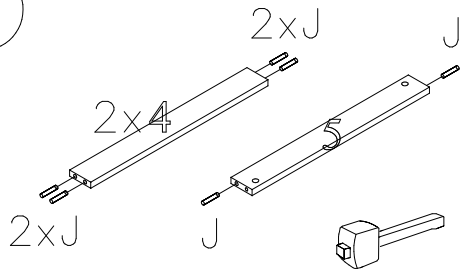


2x



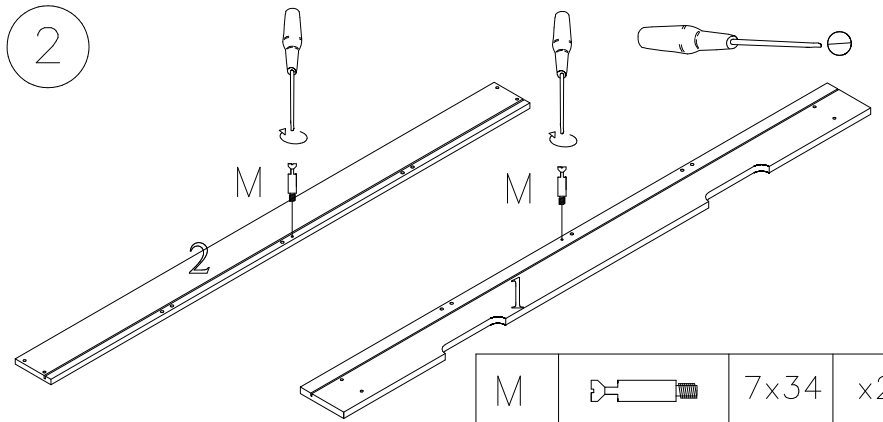
J		8x40	x20
D		7x50	x16
N		15x12	x4
M		7x34	x4
Z		D=26	x8
W		3,5x16	x16
T		1,6x16	x50
		4mm	x1

1



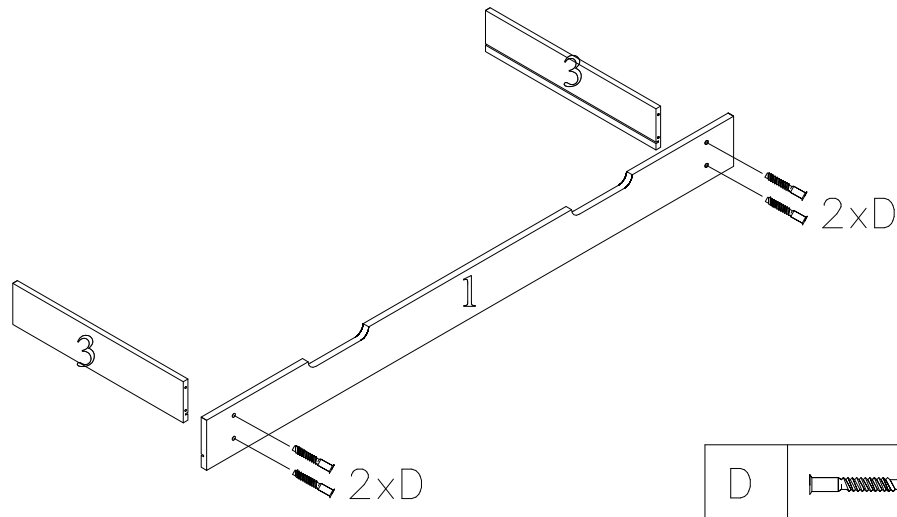
J		8x40	x10
---	--	------	-----

2



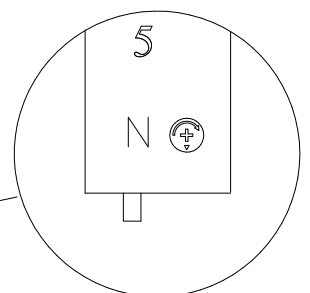
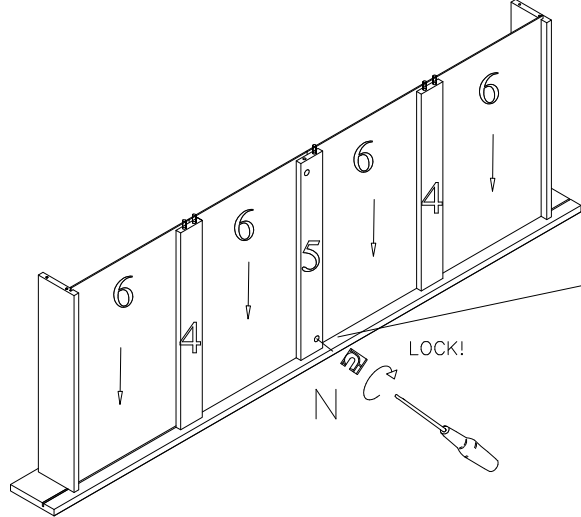
M		7x34	x2
---	--	------	----

3



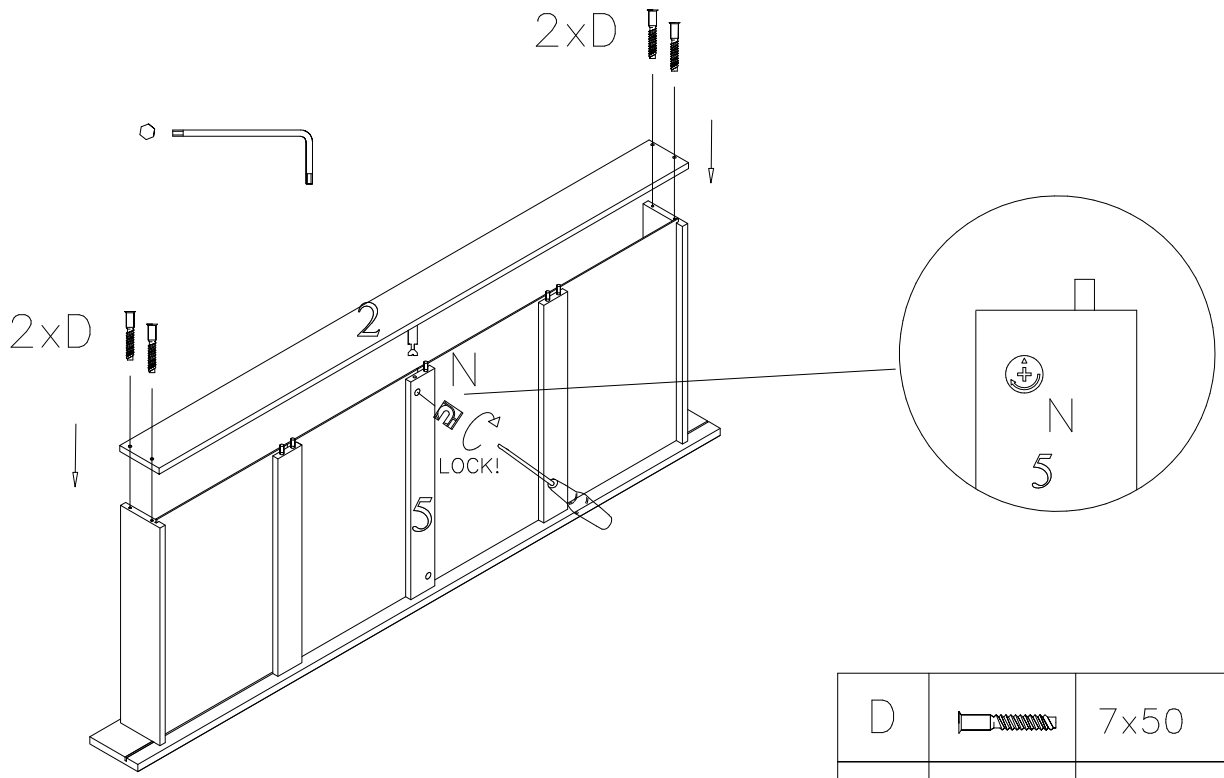
D		7x50	x4
---	--	------	----

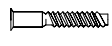

4



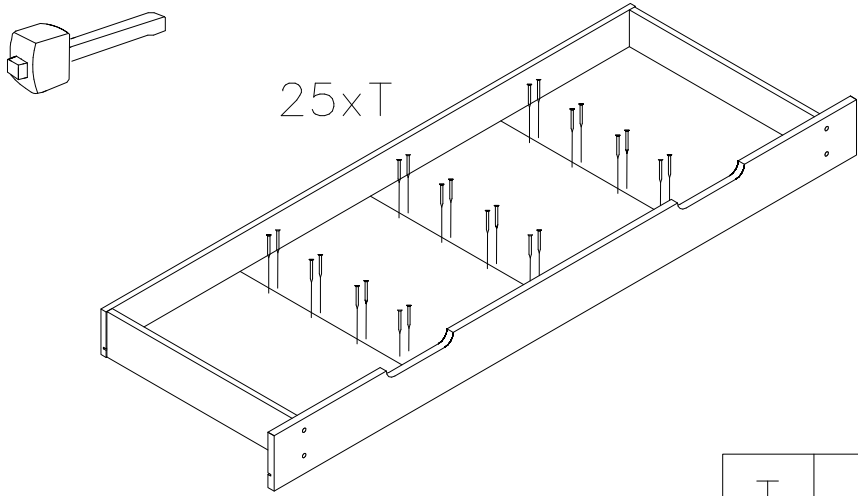
N		15x12	x1
---	--	-------	----

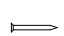
5



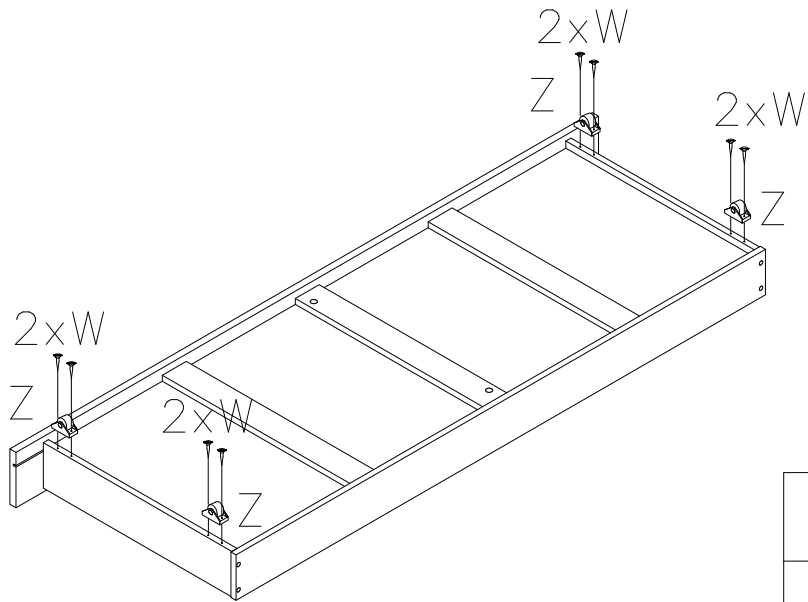
D		7x50	x4
N		15x12	x1


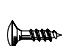
6



T		1,6x16	x25
---	---	--------	-----

7



Z		D=26	x4
W		3,5x16	x8