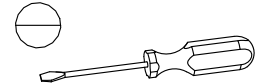
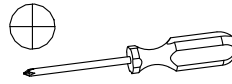
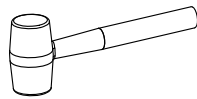
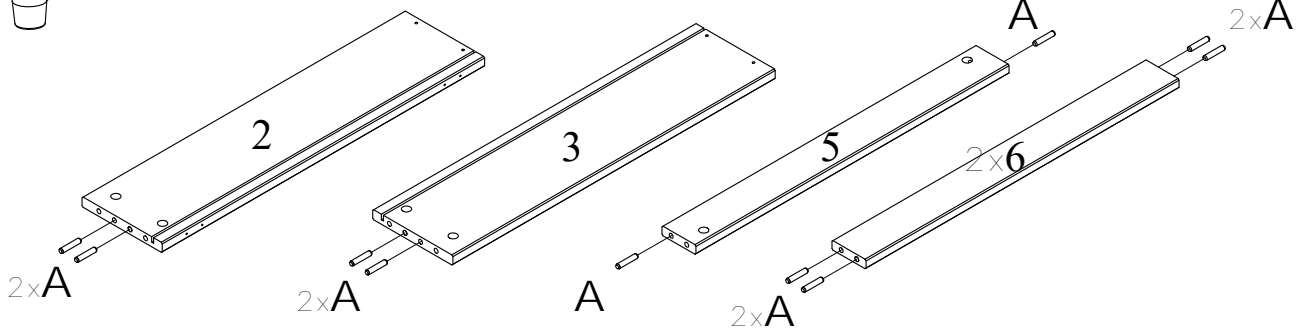
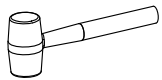


A		8x40	x14
B		7x34	x6
C		15x12	x6
D		3,5x40	x4
E		D26	x4
F		3,5x16	x8
G		L=1690	x1

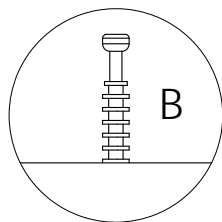
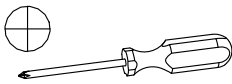


1

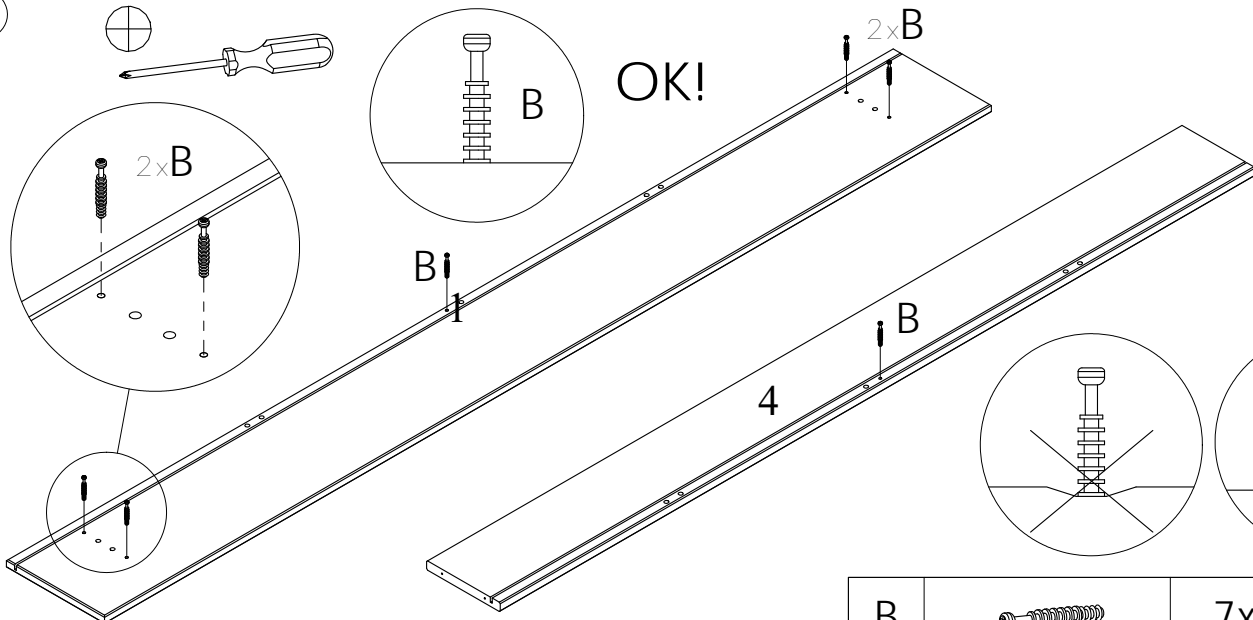


A		8x40	x14
---	--	------	-----

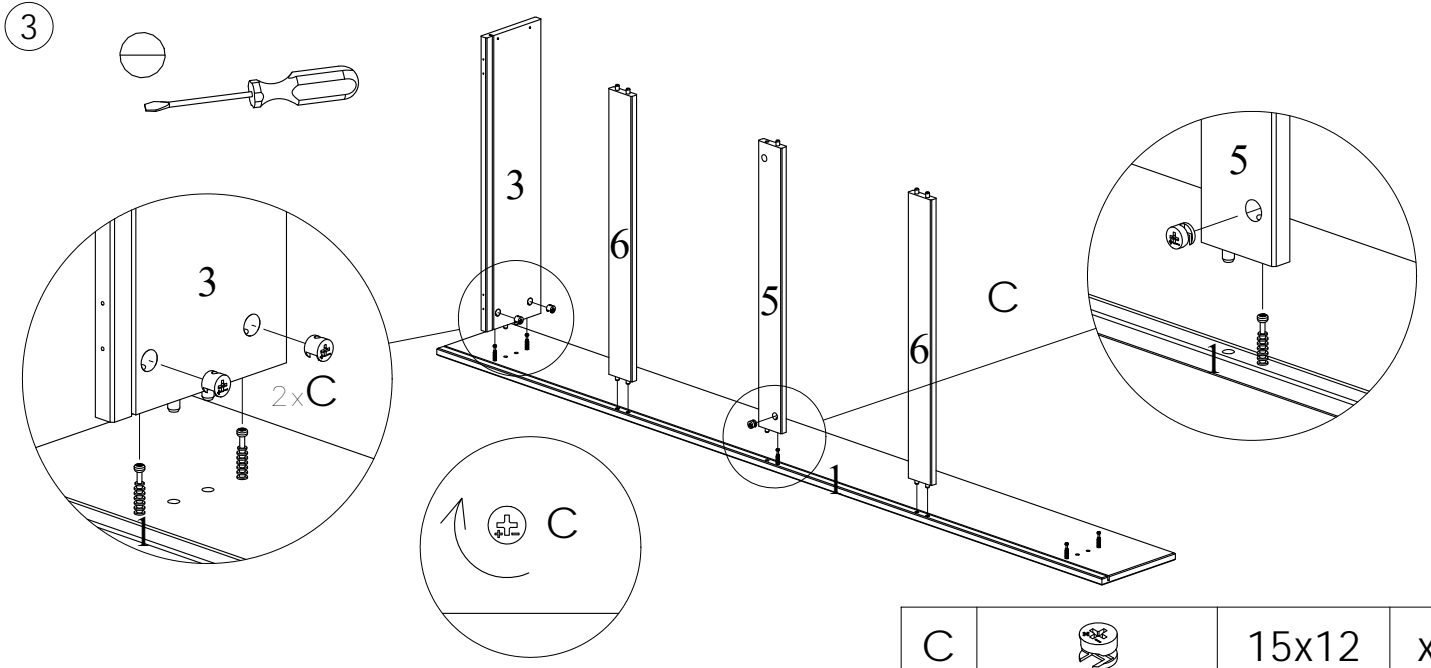
2



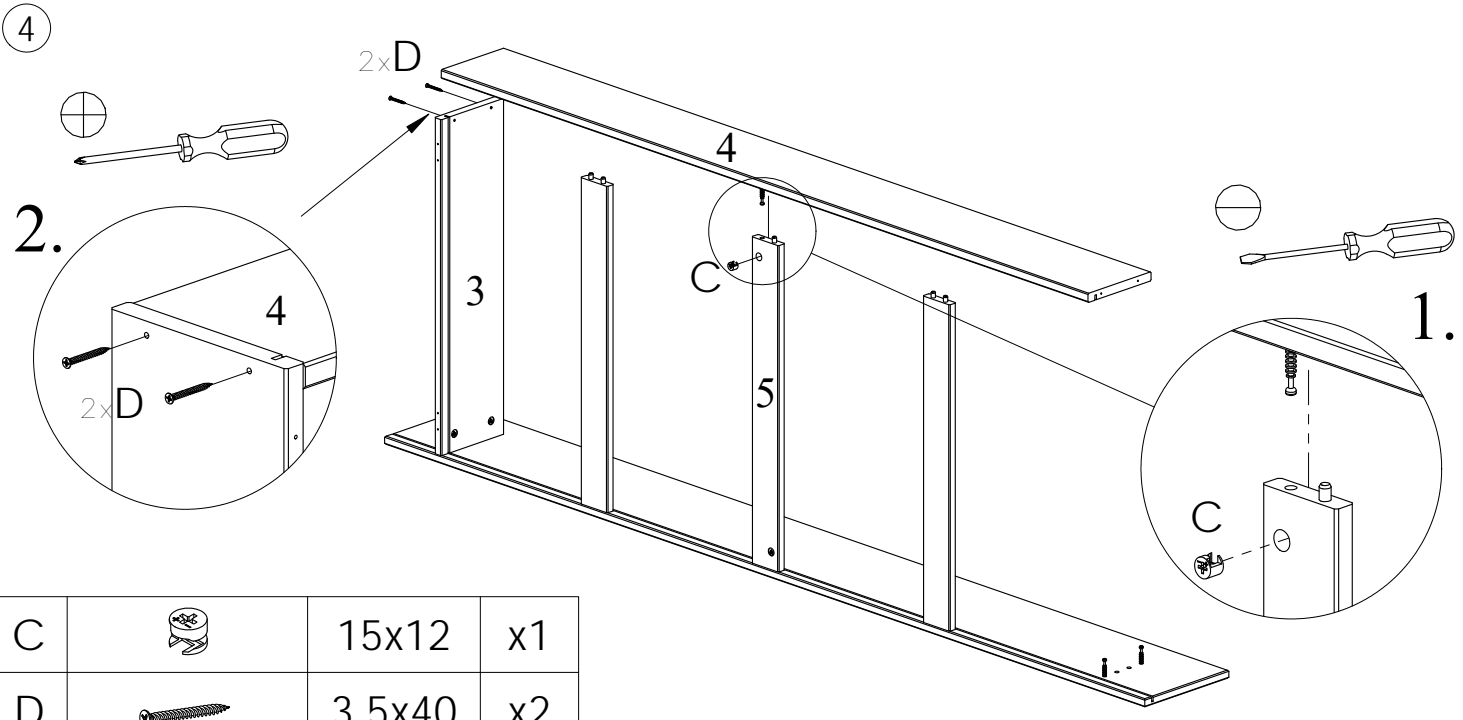
OK!



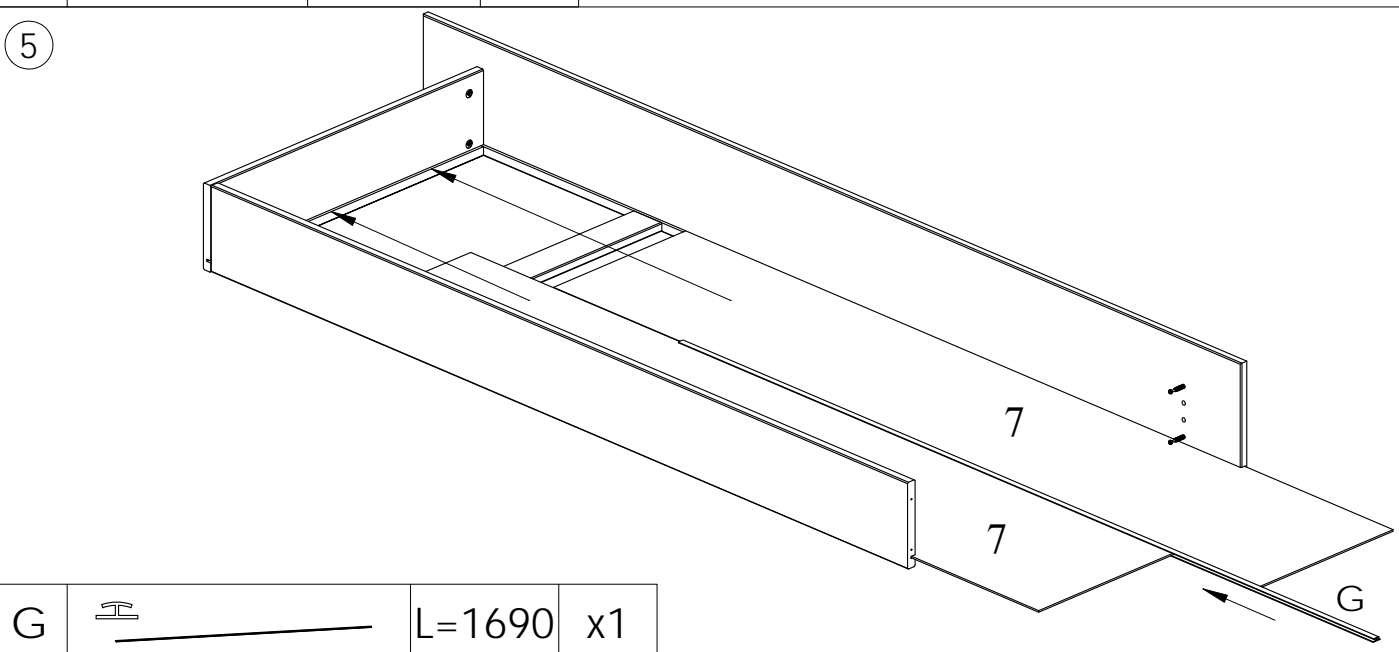
B		7x34	x6
---	--	------	----



C		15x12	x3
---	--	-------	----

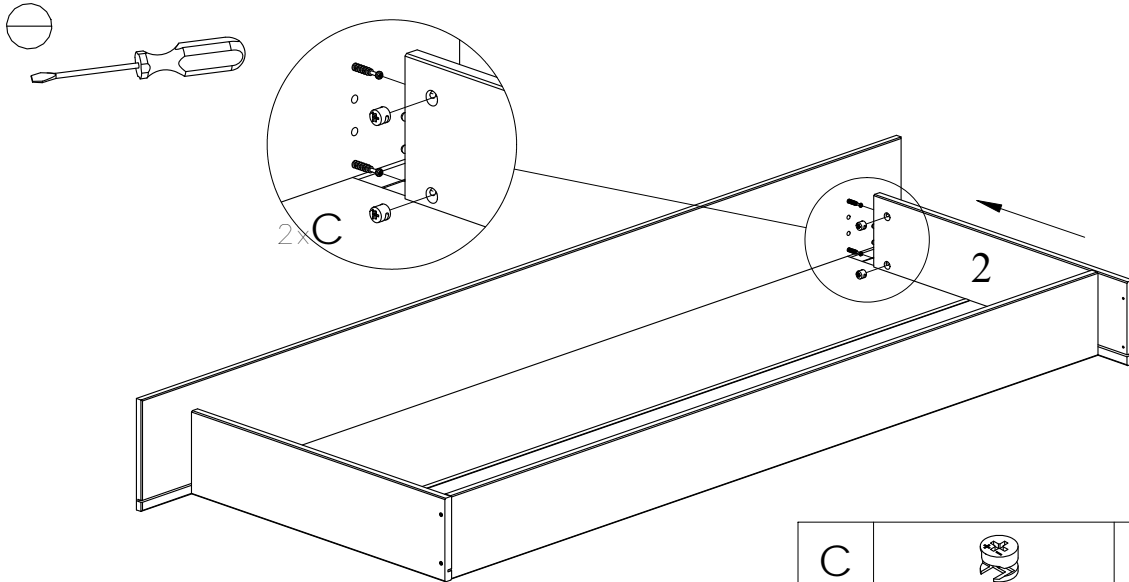


C		15x12	x1
D		3,5x40	x2



G		L=1690	x1
---	--	--------	----

6



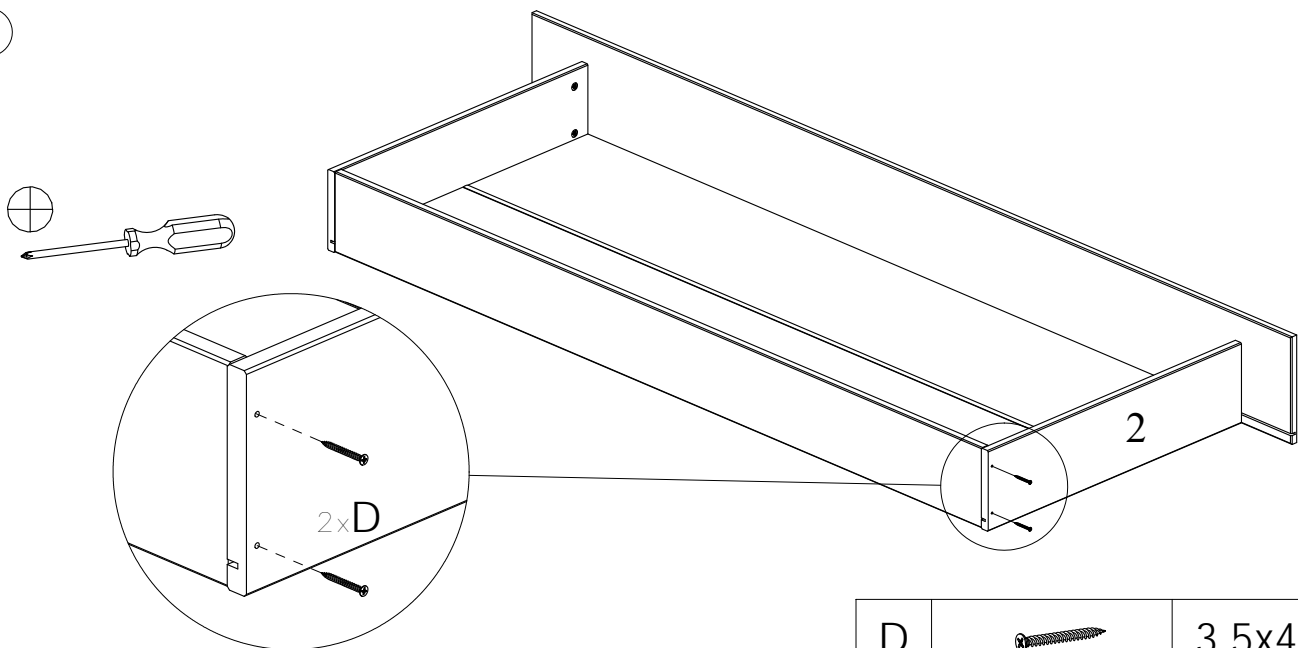
C



15x12

x2

7



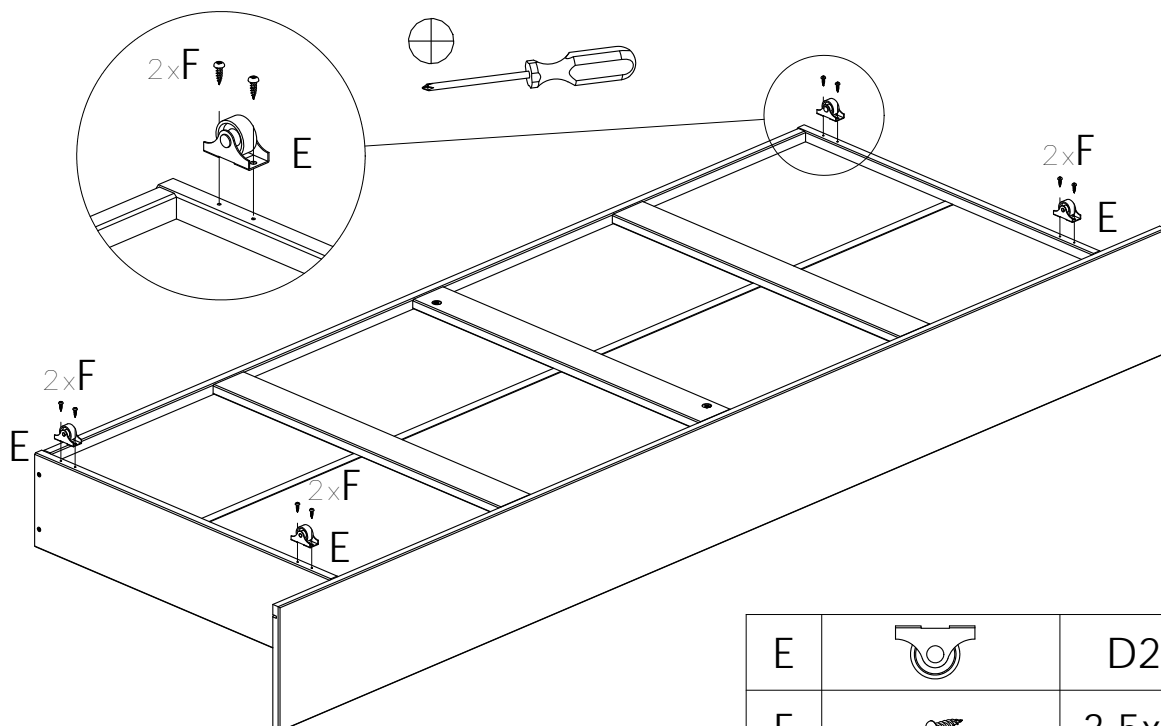
D



3,5x40

x2

8



E



D26

x4

F



3,5x16

x8